



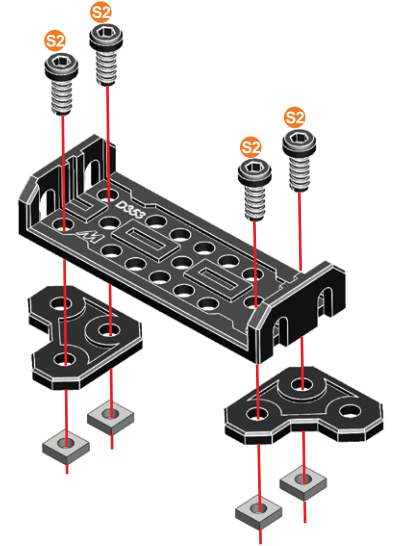





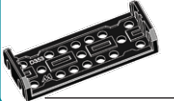
**1**

-  9,5 mm | 3/8" | **x4**
-  **x4**
-  **x2**
-  **x1**

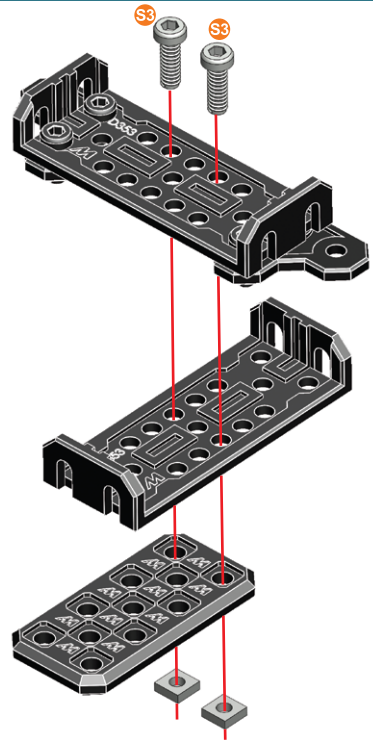
-  **1:1**



**2**

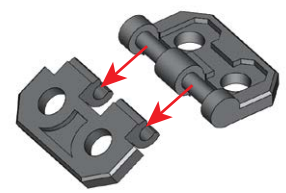
-  12 mm | 1/2" | **x2**
-  **x2**
-  **x1**
-  **x1**

-  **1:1**


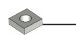



**3**

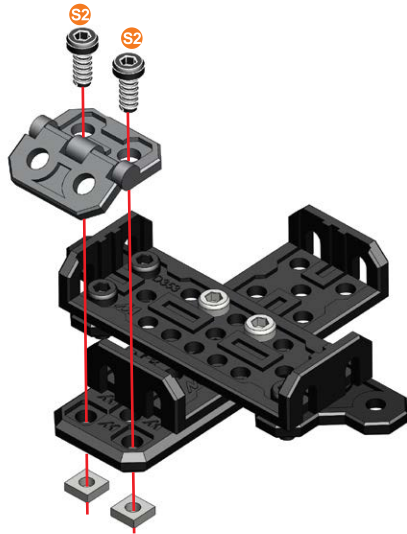
-  **x1**
-  **x1**








**4** (2)+(3)+


	9.5 mm 3/8"	x2
		x2



	S2	1:1
---	----	-----

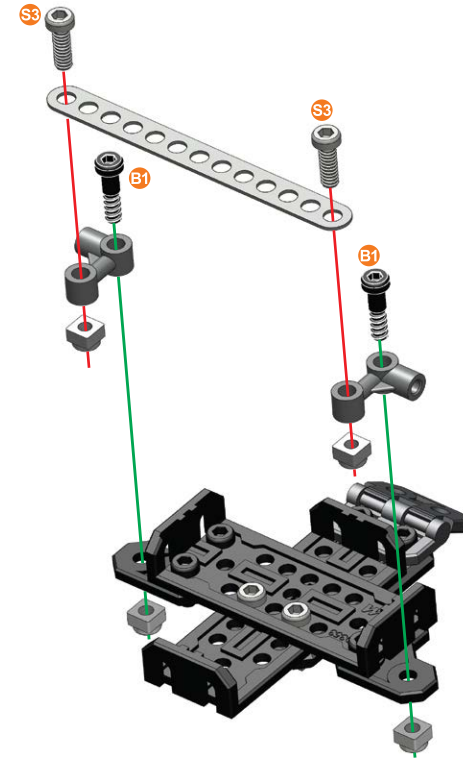


**5**




	12 mm 1/2"	x2
	14.7 mm 37/64"	x2
		x4
		x2
		x1




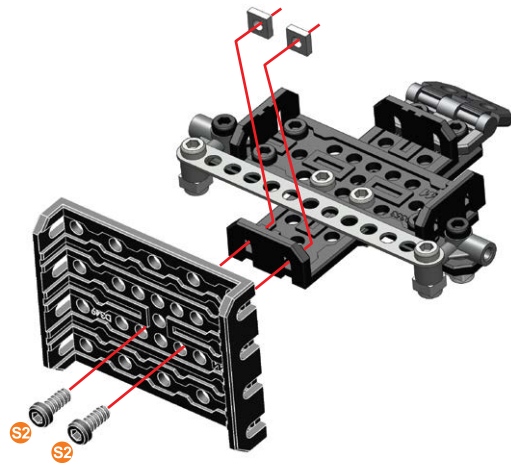
	S3	1:1
	B1	1:1







**6**


	9.5 mm 3/8"	x2
		x2
		x1

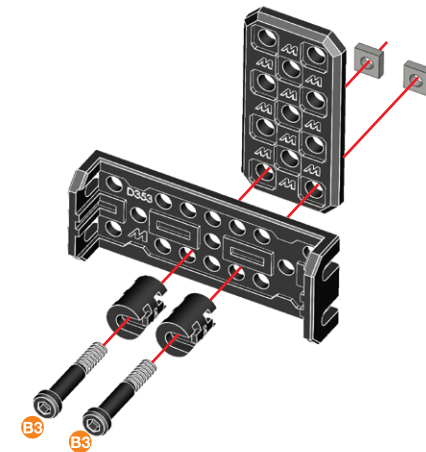
	S2	1:1
---	----	-----



**7**



	23 mm 15/16"	x2
		x2
		x1
		x1

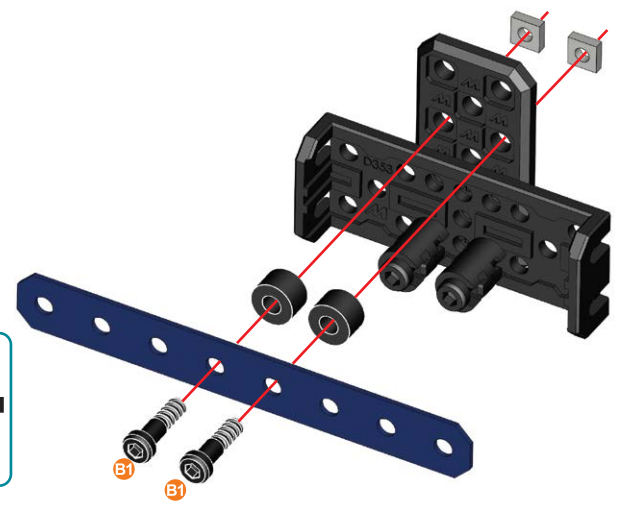
	B3	1:1
---	----	-----





**8**

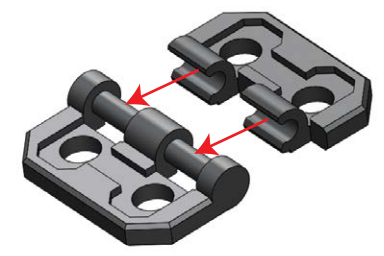
	14.7 mm 37/64"	x2
		x2
		x2
		x1

	B1	1:1
	A238	






**9**

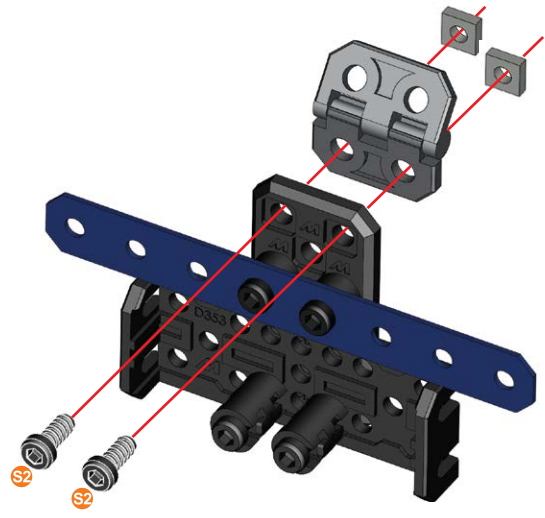
	x1
	x1



**10** (8)+(9)+

	9.5 mm 3/8"	x2
		x2


	S2	1:1
--	----	-----

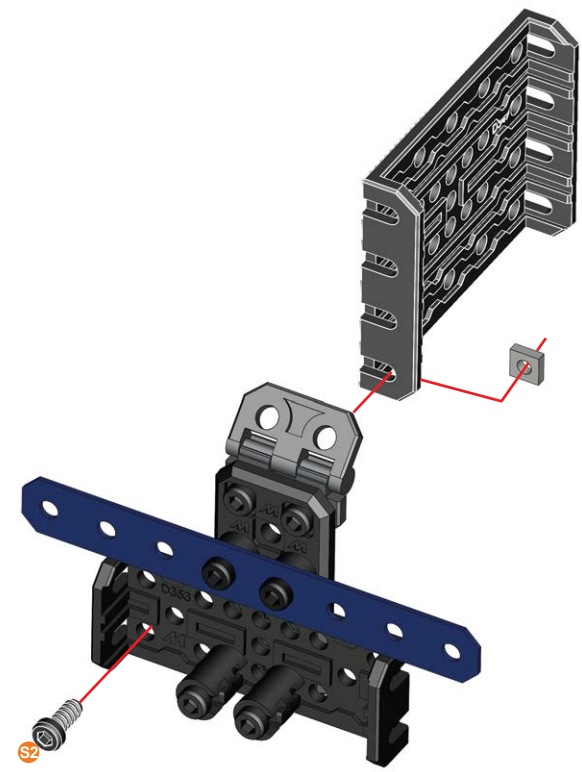


**11**

	9.5 mm 3/8"	x1
		x1

	x1
--	----

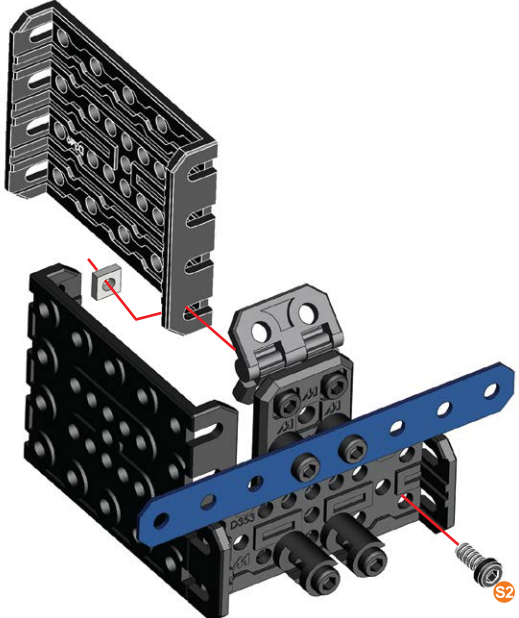
	S2	1:1
---	----	-----



# 12

- 9.5 mm | 3/8" | x1
- x1
- x1

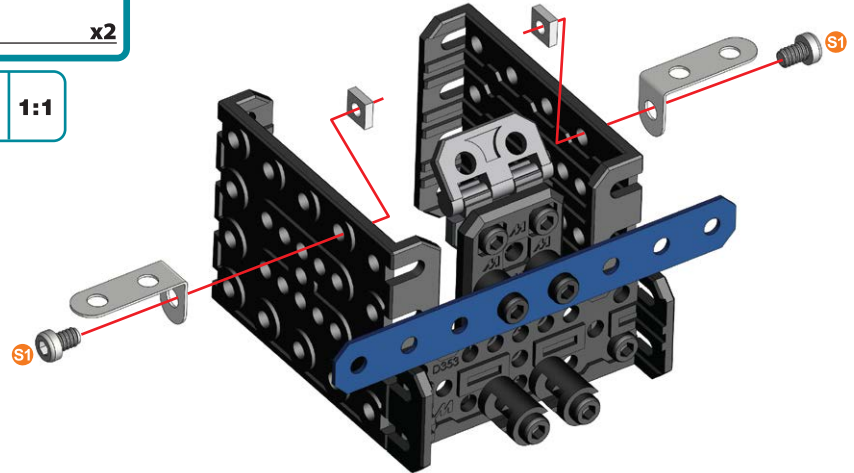
- 1:1



# 13

- 5.8 mm | 15/64" | x2
- x2
- x2

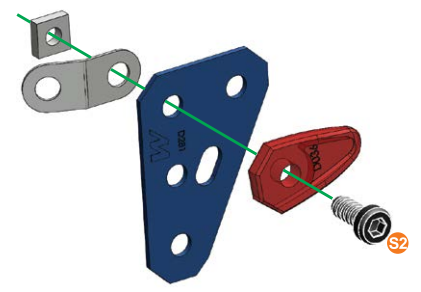
- 1:1



# 14

- 9.5 mm | 3/8" | x1
- x1
- x1
- x1
- x1
- x1

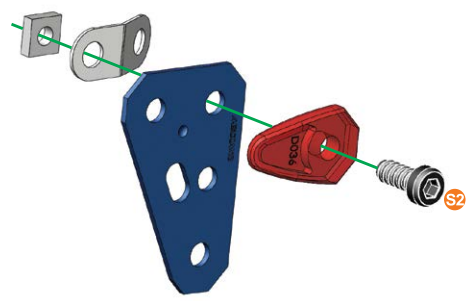
- 1:1



# 15

- 9.5 mm | 3/8" | x1
- x1
- x1
- x1
- x1
- x1

- 1:1

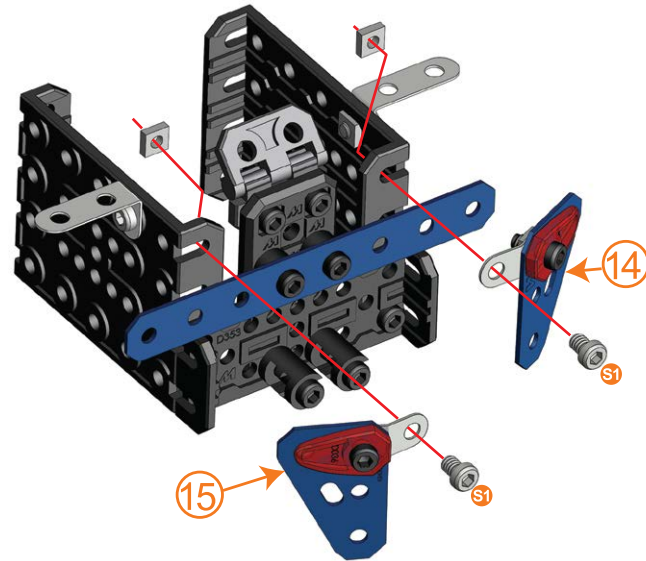




# 16

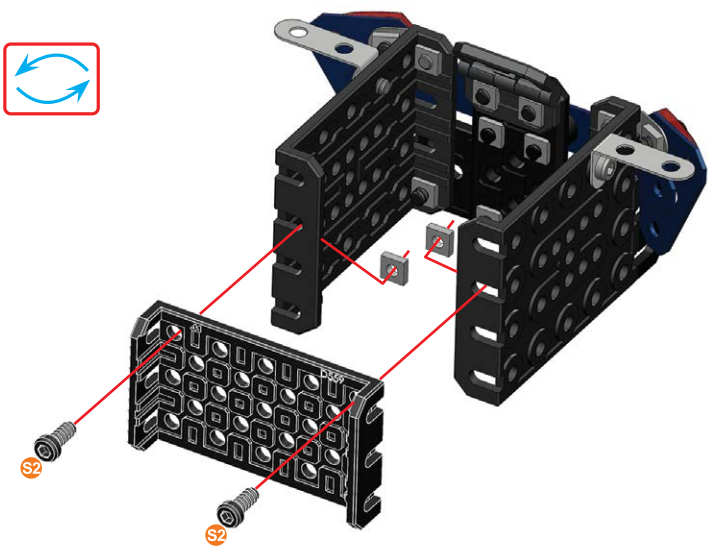
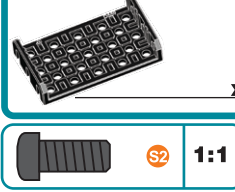
(13)+(14)+(15)+

- S1 | 5,8 mm | x2  
15/64"
- x2



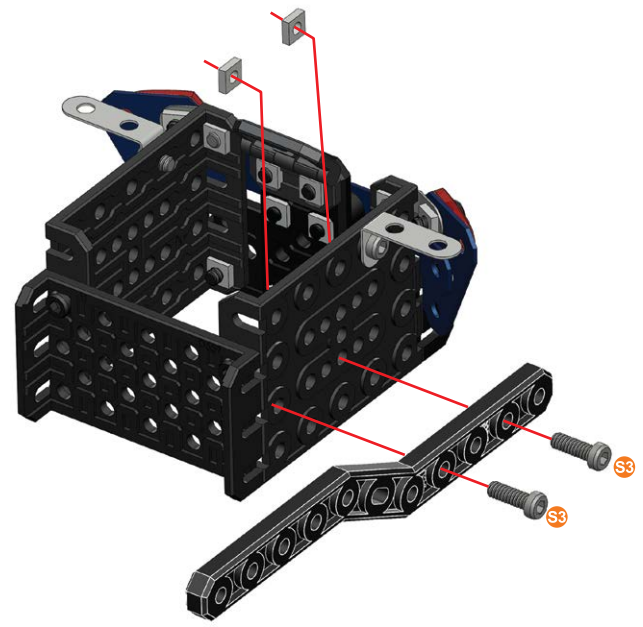
# 17

- S2 | 9,5 mm | x2  
3/8"
- x2



# 18

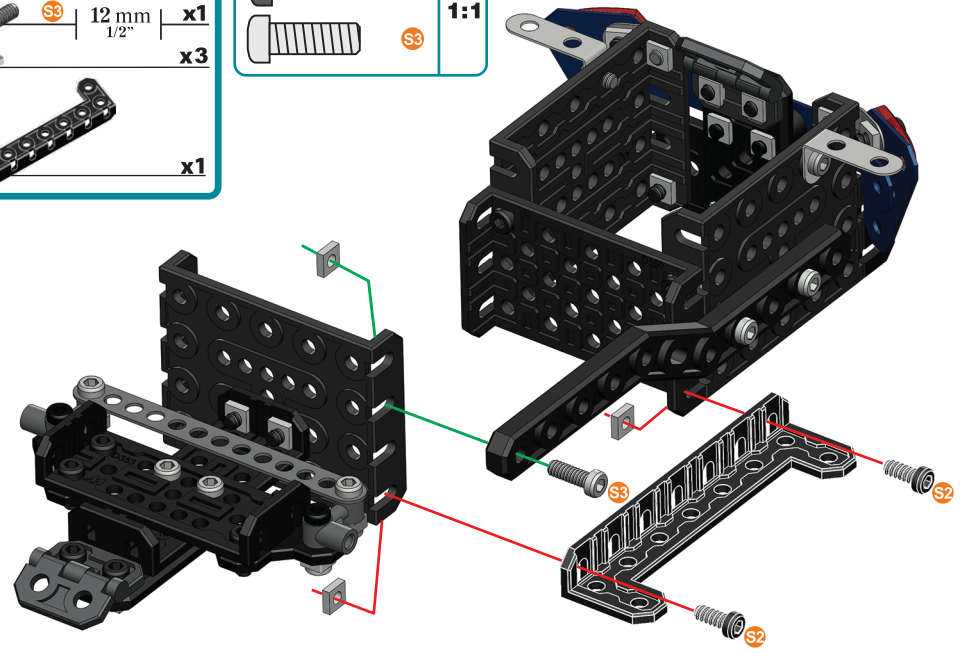
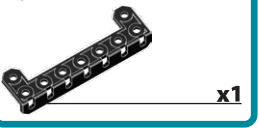
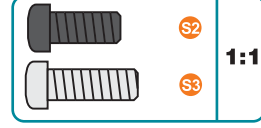
- S3 | 12 mm | x2  
1/2"
- x2







# 19

(6)+(18)+

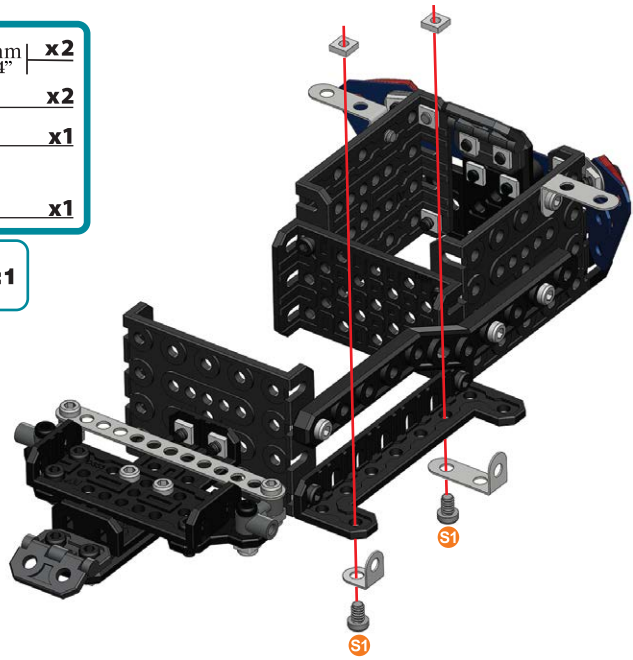
- S2 | 9,5 mm | x2  
3/8"
- S3 | 12 mm | x1  
1/2"
- x3






# 20

-  5.8 mm | 15/64" | x2
-  x2
-  x1
-  x1

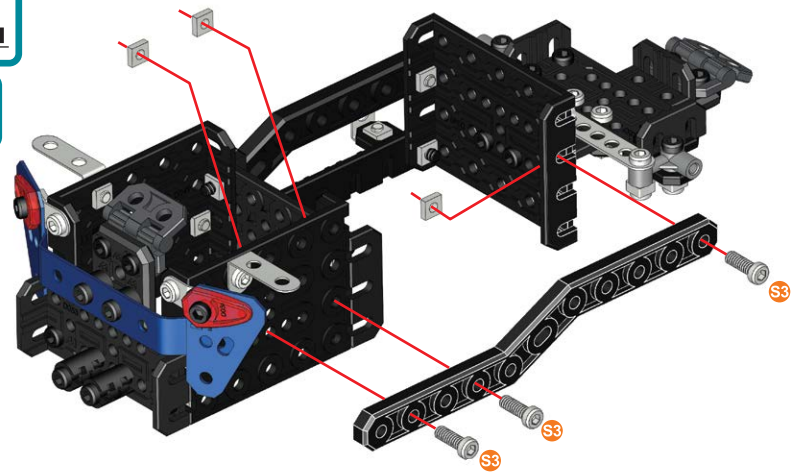
-  1:1






# 21

-  12 mm | 1/2" | x3
-  x3
-  x1

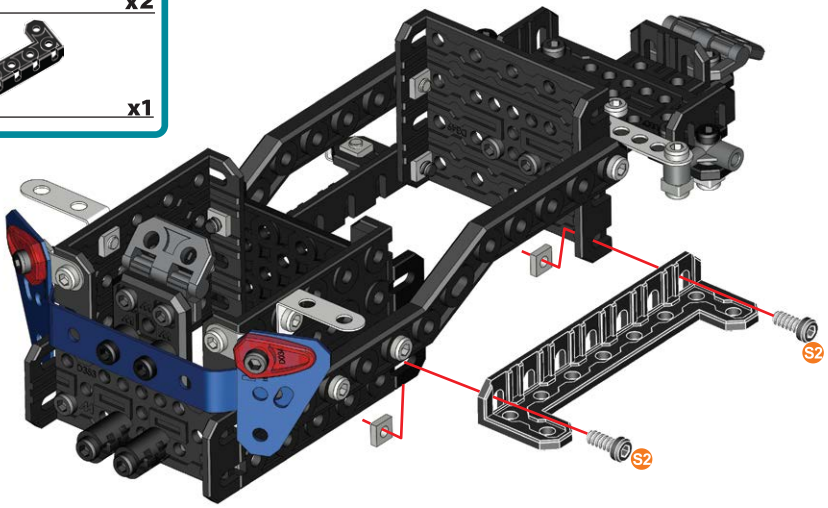
-  1:1







# 22

-  9.5 mm | 3/8" | x2
-  x2
-  x1

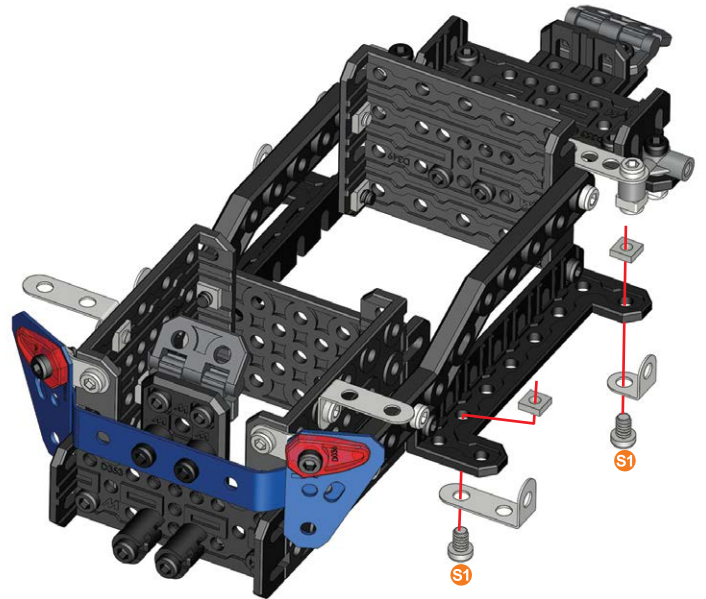
-  1:1



# 23

-  5.8 mm | 15/64" | x2
-  x2
-  x1
-  x1

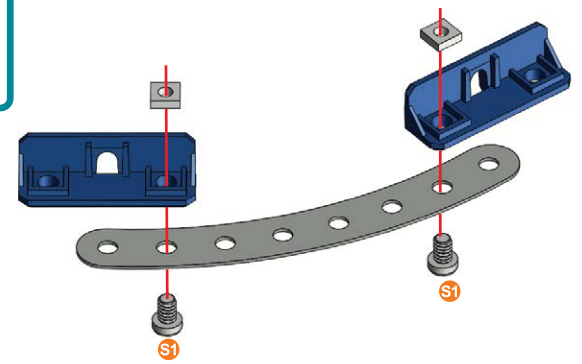
-  1:1



# 24

- S1** | 5,8 mm | 15/64" | **x2**
- x2**
- x2**
- x1**

- S1** | **1:1**



# 25

- x2**
- x2**

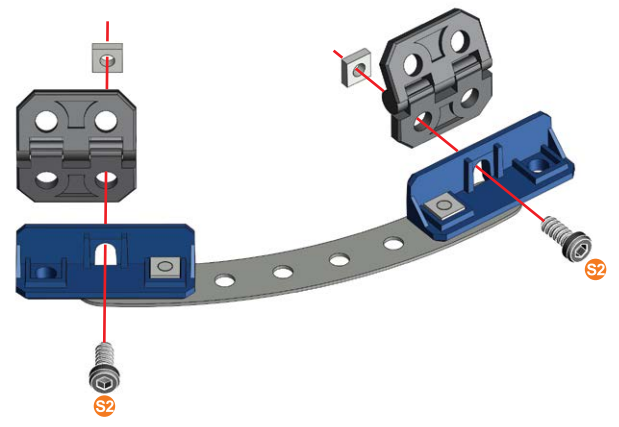


# 26

24+25+

- S2** | 9,5 mm | 3/8" | **x2**
- x2**

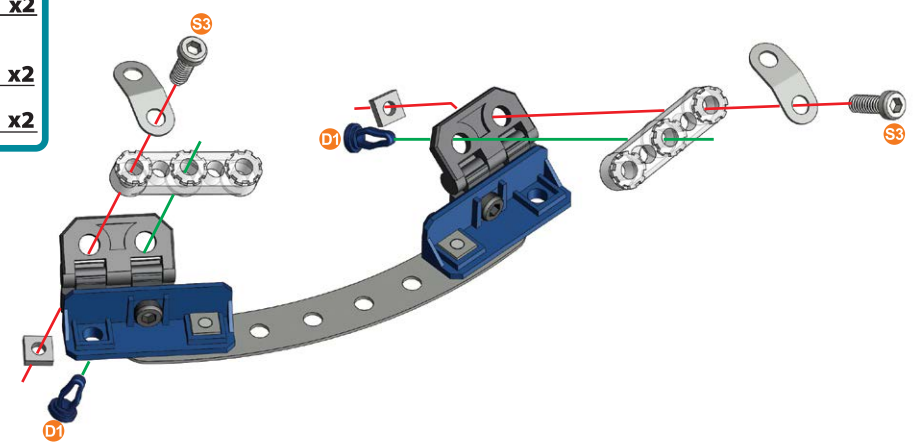
- S2** | **1:1**



# 27








- S3** | 12 mm | 1/2" | **x2**
- x2**
- D1** | 11,25 mm | 7/16" | **x2**
- x2**
- x2**

- D1** | **1:1**
- S3** | **1:1**

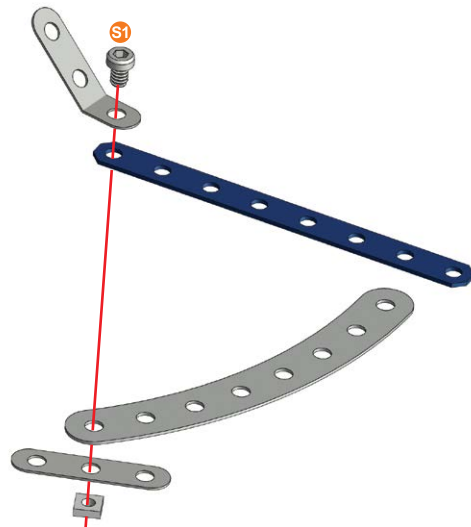










28

	5.8 mm 15/64"	x1
		x1
		x1
		x1
		x1
		x1
		x1

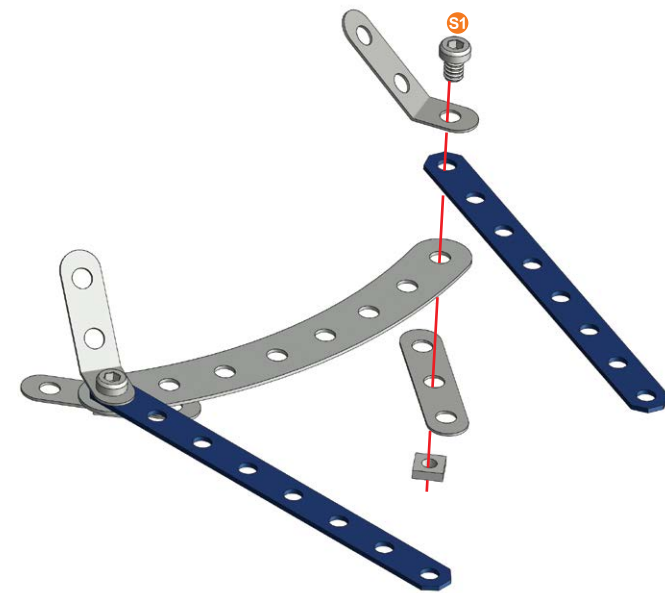
	S1	1:1
---	----	-----








29

	5.8 mm 15/64"	x1
		x1
		x1
		x1
		x1
		x1

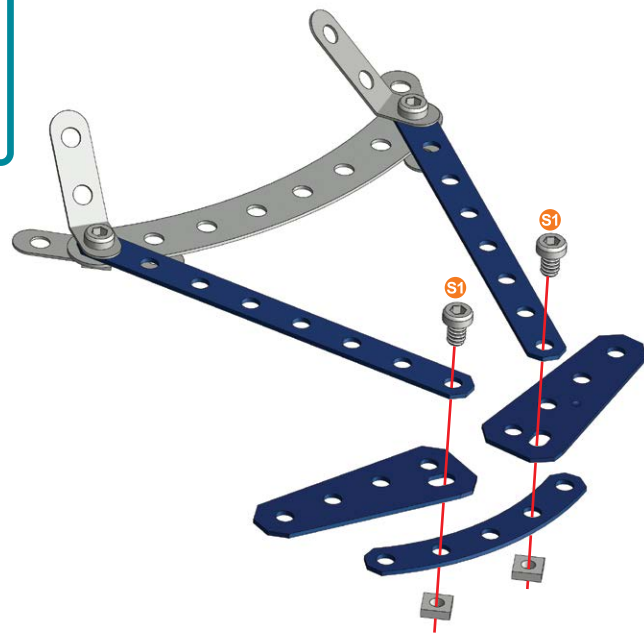
	S1	1:1
---	----	-----







30

	5.8 mm 15/64"	x2
		x2
		x2
		x1
		x1

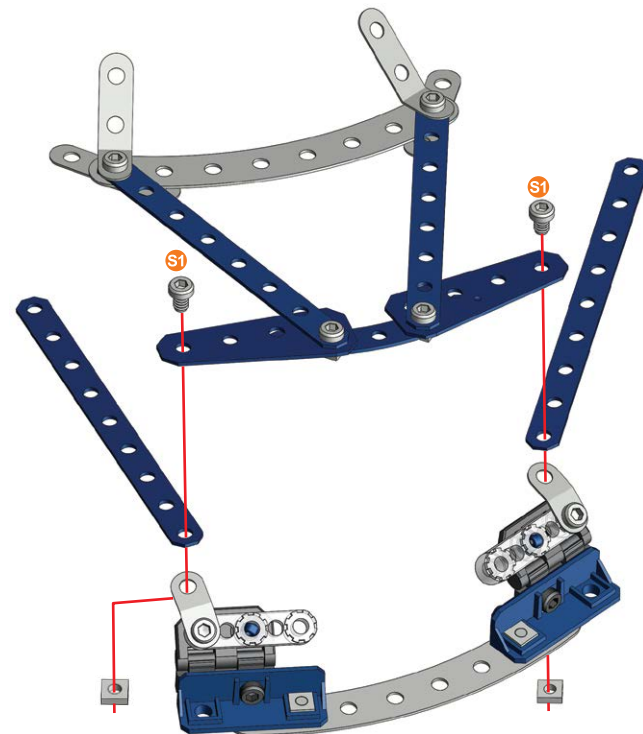
	S1	1:1
---	----	-----



31





	5.8 mm 15/64"	x2
		x2
		x2
		x2

	S1	1:1
---	----	-----

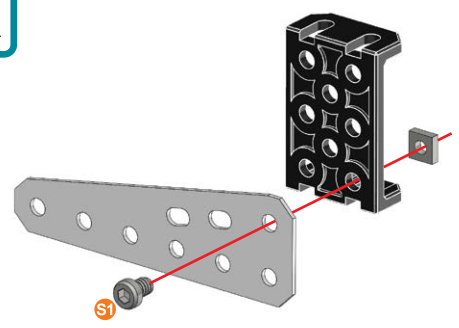




**32**



-  **S1** | 5.8 mm | **x1**  
15/64"
-  **x1**
-  **x1**
-  **x1**

 **S1** | **1:1**

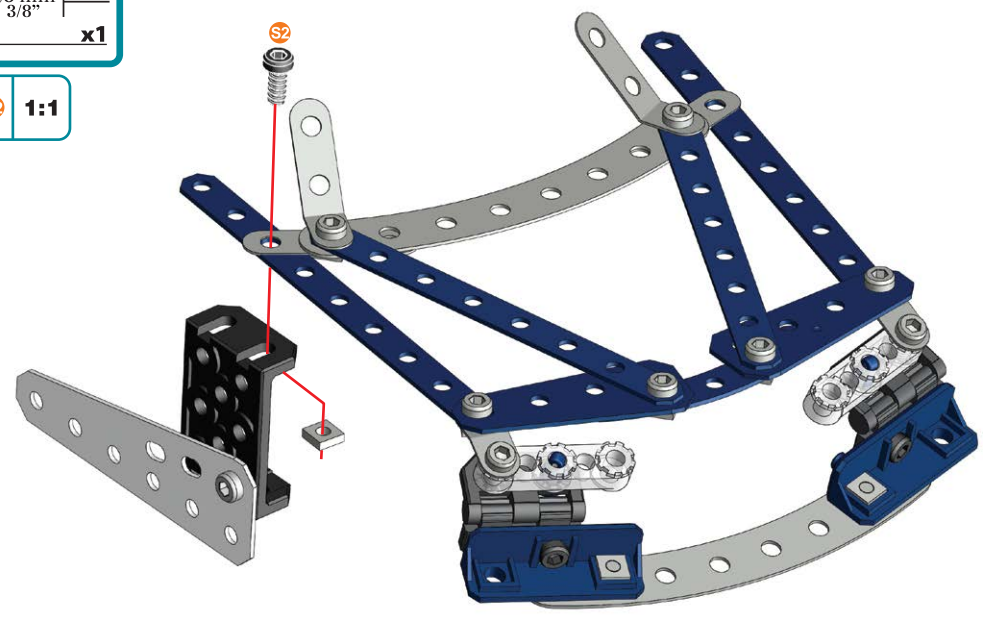


**33**





**31)+32+**

-  **S2** | 9.5 mm | **x1**  
3/8"
-  **x1**

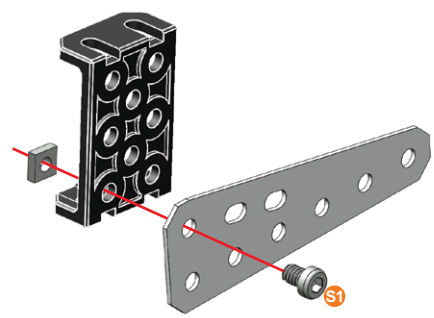
 **S2** | **1:1**



**34**



-  **S1** | 5.8 mm | **x1**  
15/64"
-  **x1**
-  **x1**
-  **x1**

 **S1** | **1:1**

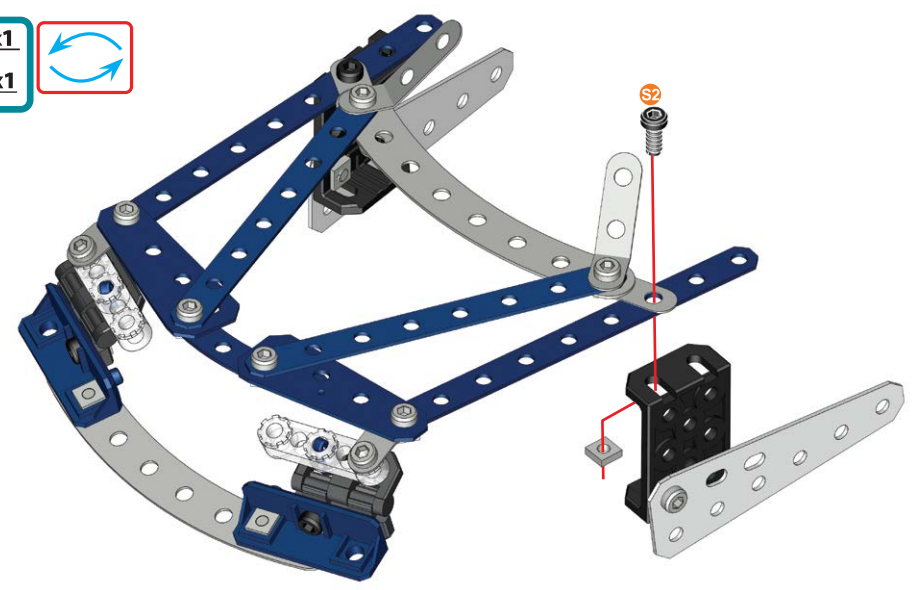
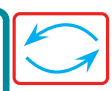


**35**



**33)+34+**

-  **S2** | 9.5 mm | **x1**  
3/8"
-  **x1**

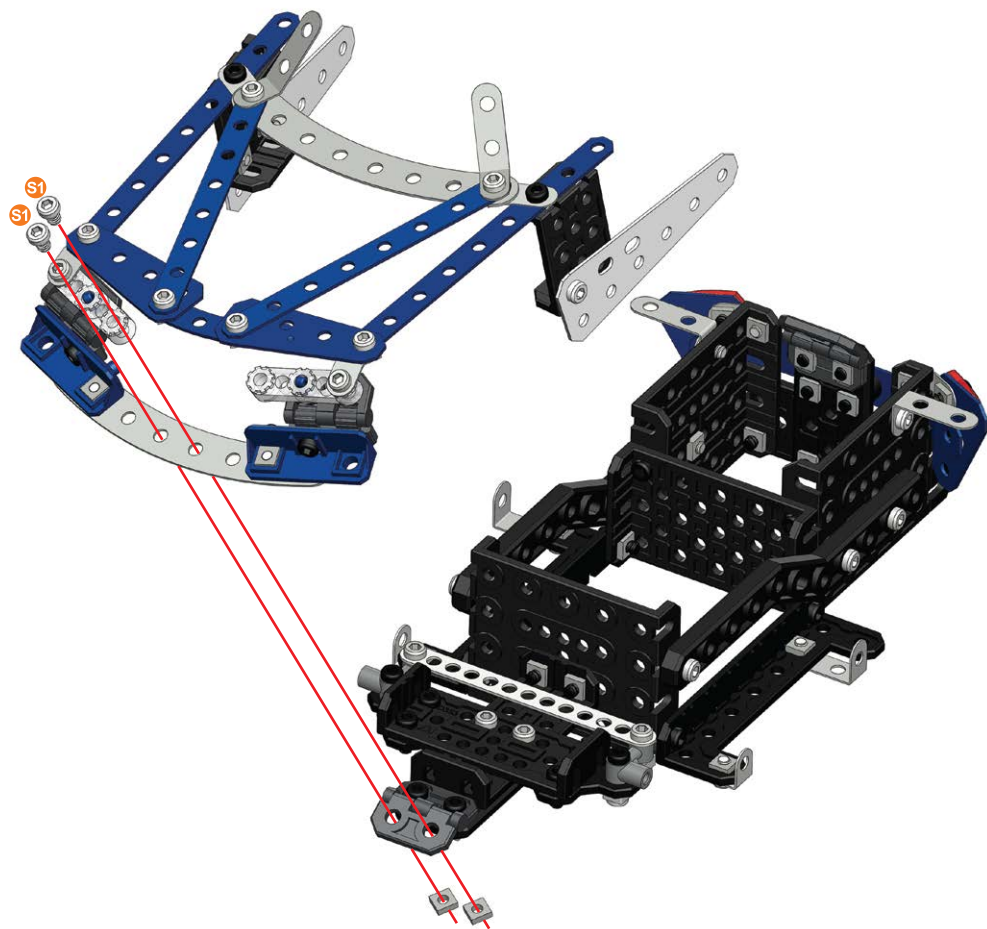
 **S2** | **1:1**









**36** 23+35+



	5,8 mm 15/64"	x2
		x2

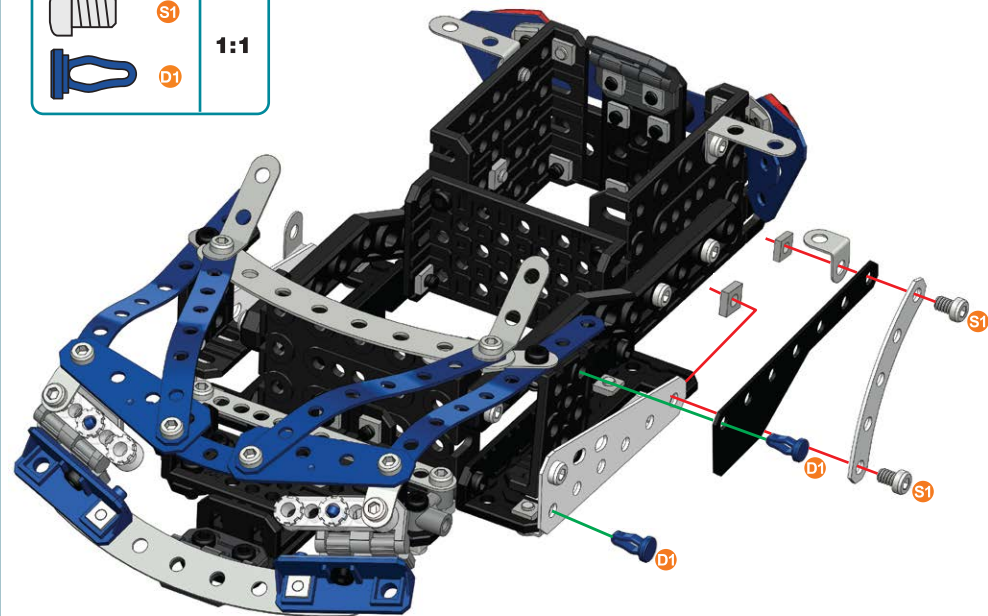
	S1	1:1
---	----	-----



**37**

	5,8 mm 15/64"	x2
		x2
	11,25 mm 7/16"	x2
		x1
		x1
		x1

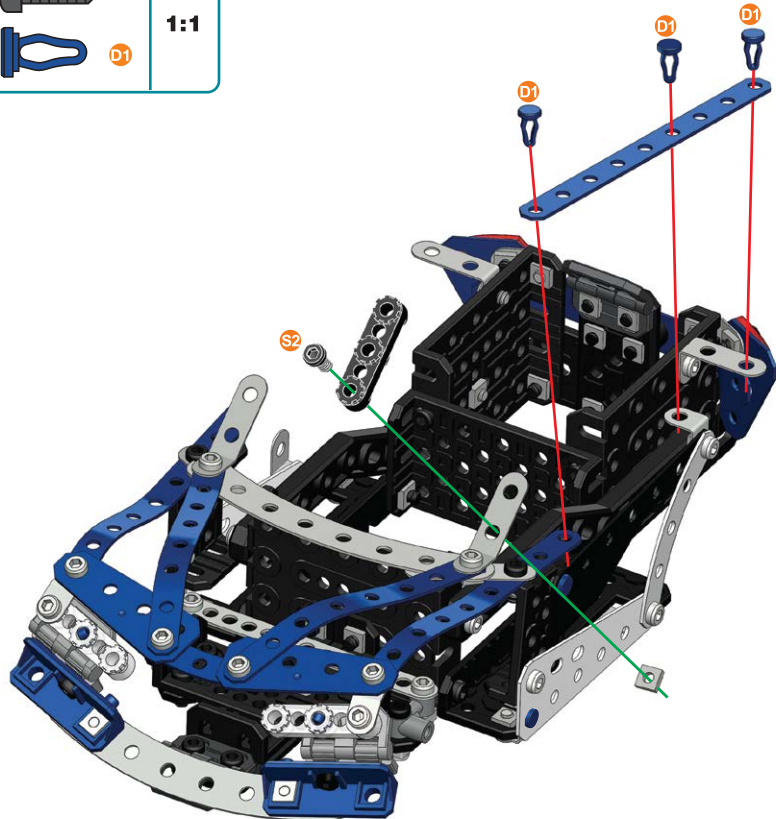
	S1	1:1
	D1	



38

- 9,5 mm | 3/8" | x1
- x1
- 11,25mm | 7/16" | x3
- x1
- x1

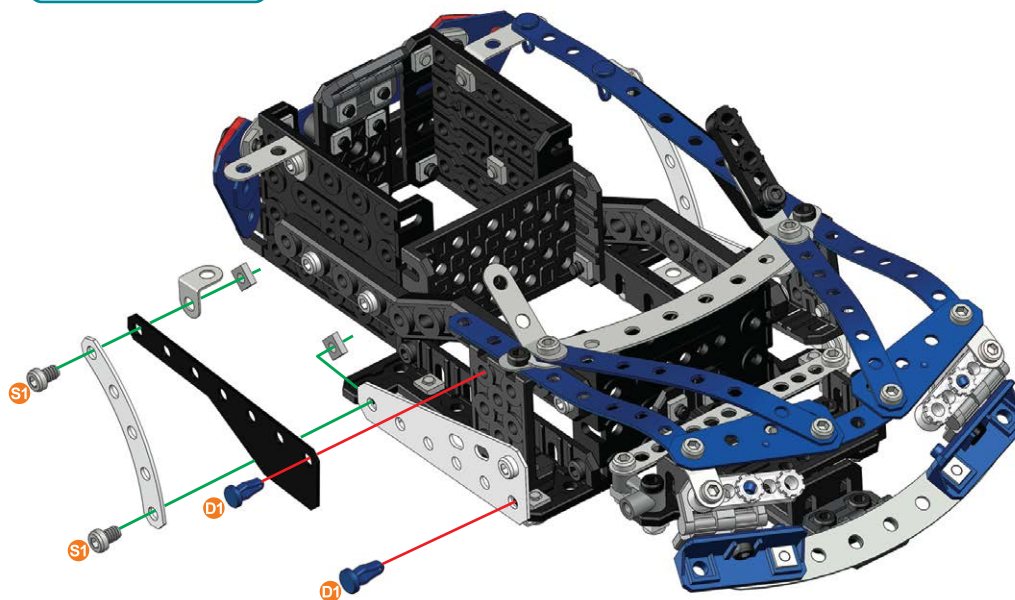
- S2
- D1
- 1:1



39

- 5,8 mm | 15/64" | x2
- x2
- 11,25mm | 7/16" | x2
- x1
- x1
- x1

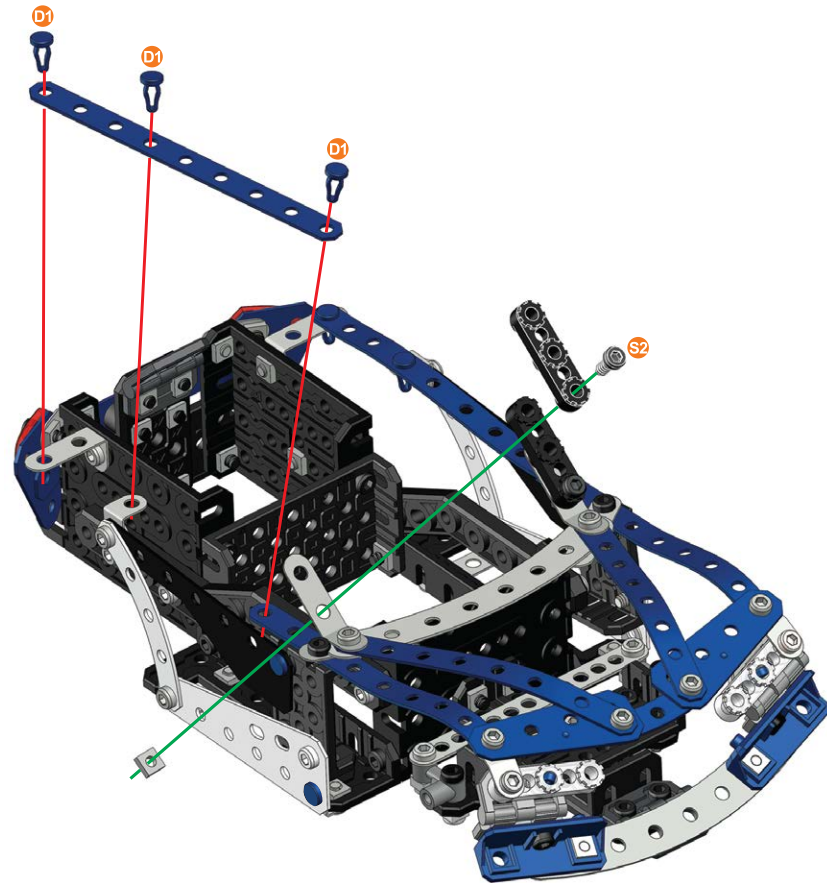
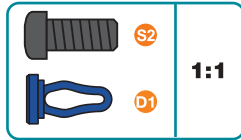
- S1
- D1
- 1:1





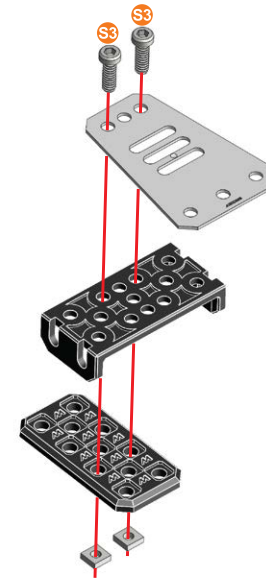
# 40

- S2 | 9,5 mm | x1
- | x1
- D1 | 11,25mm | x3
- | x1
- | x1



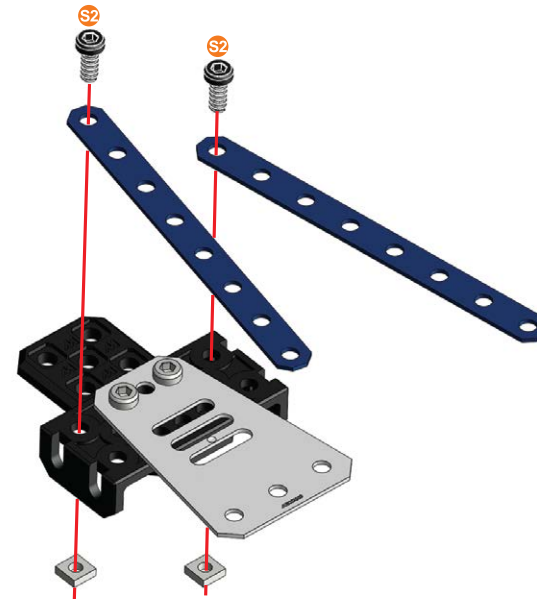
# 41

- S3 | 12 mm | x2
- | x2
- | x1
- | x1
- | x1
- | x1







# 42

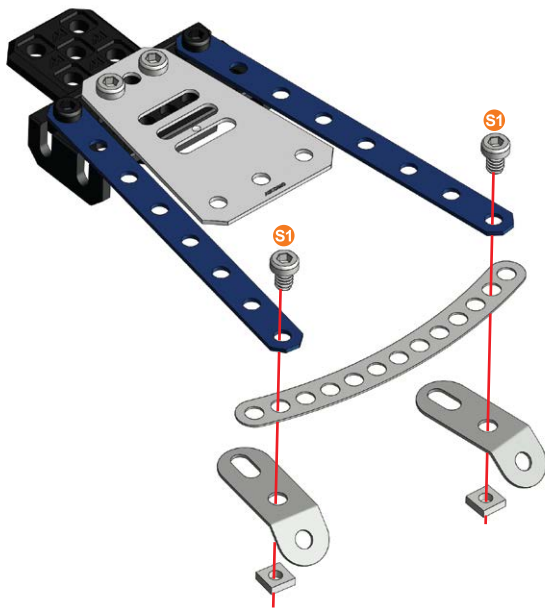
- S2 | 9,5 mm | x2
- | x2
- | x2



43



-  5.8 mm | 15/64" | x2
-  x2
-  x2
-  x1

-  1:1

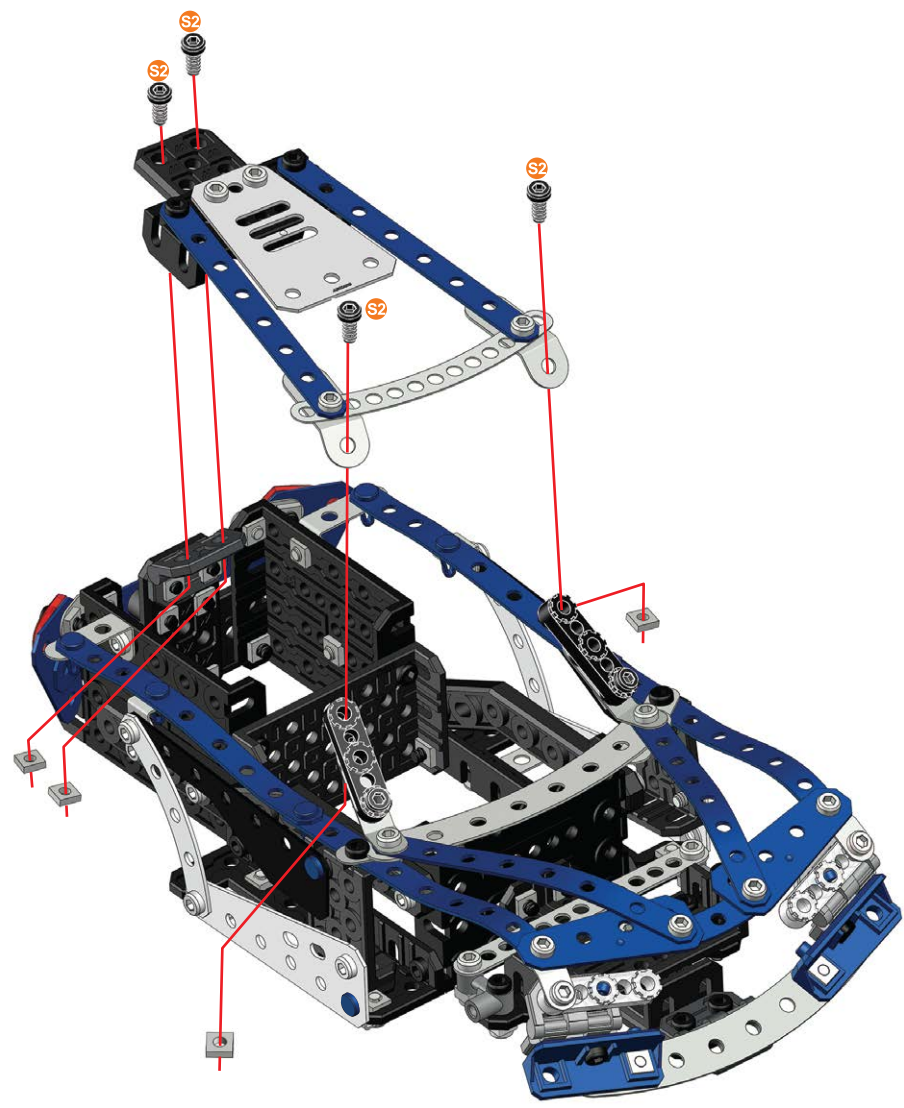


44

40+43+

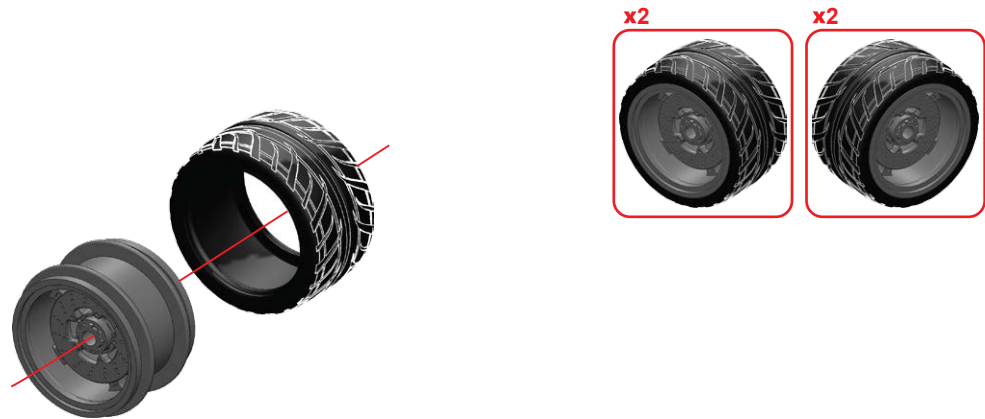
-  9.5 mm | 3/8" | x4
-  x4

-  1:1





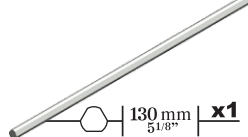


**45**

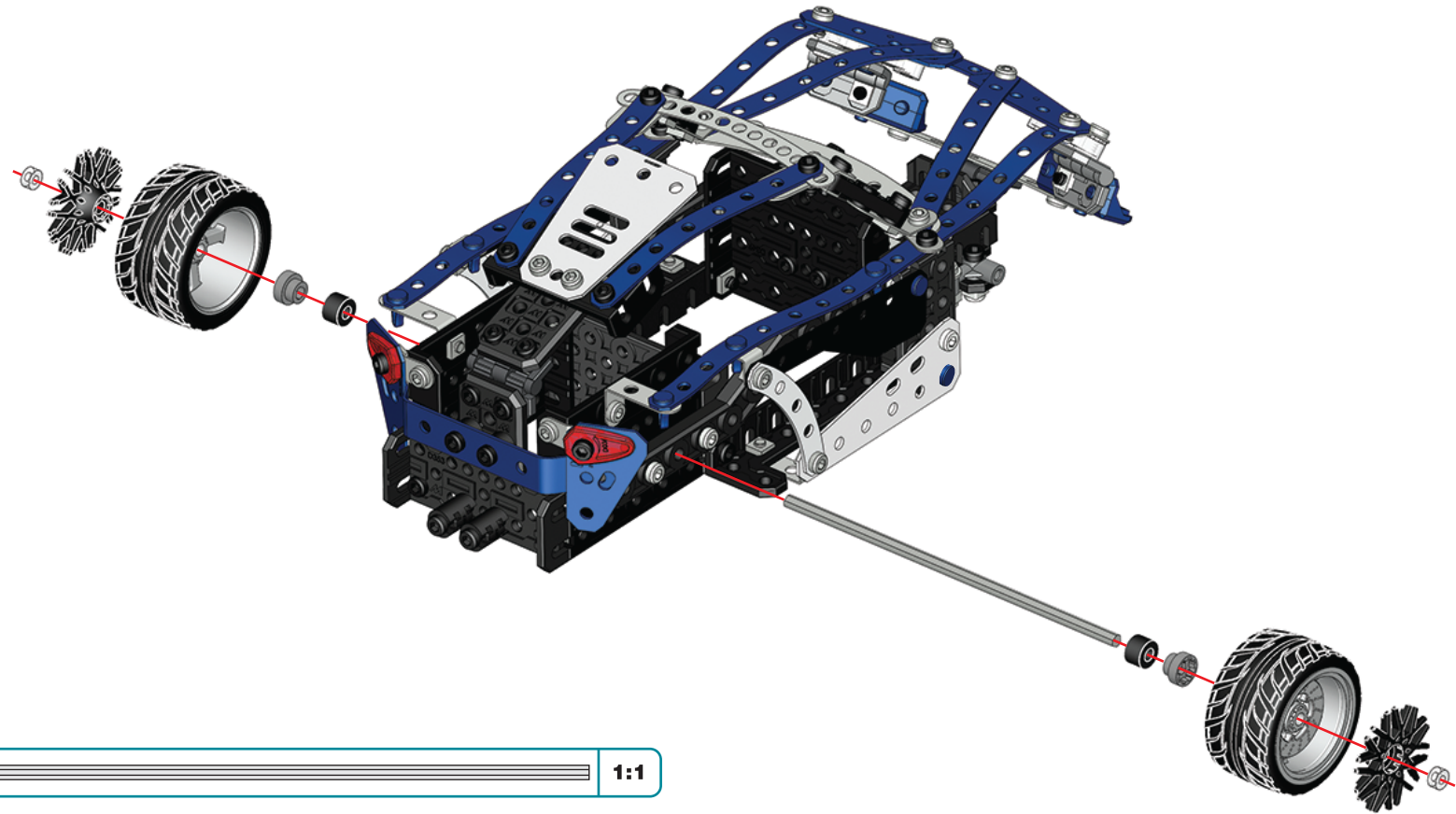
	x4
	x4



**46** (44)+(45)+

	x2
	x2
	x2
	x2
	x1

130 mm  
5.18"






		A238	1:1
---	---	------	-----

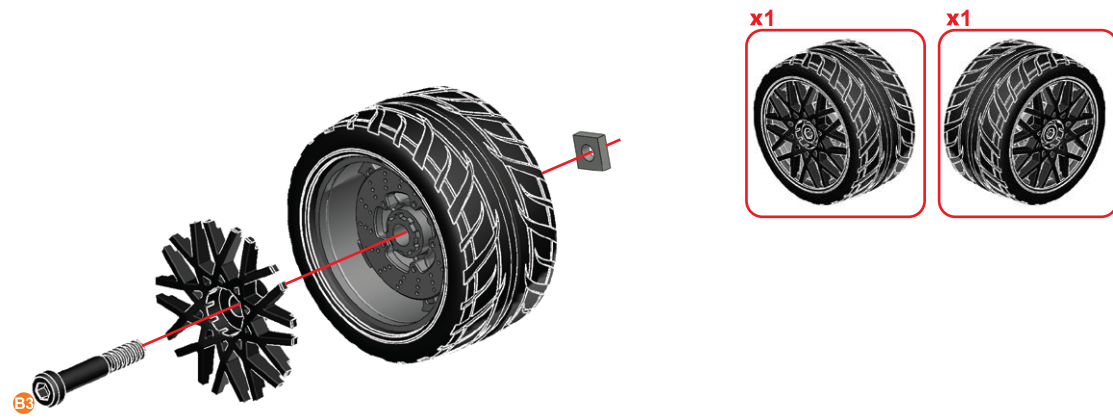
	1:1
--	-----



47

	23 mm 1 5/16"	x2
		x2
		x2

 1:1



48

46+47+

