
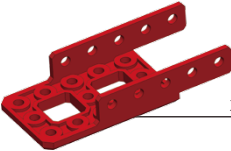


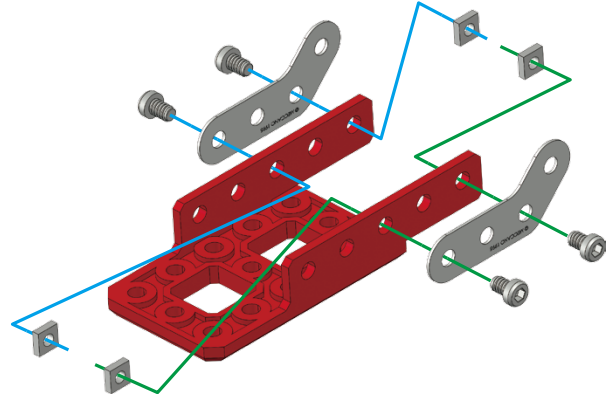
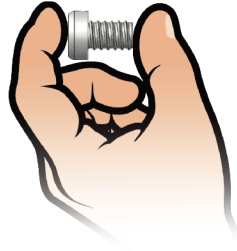








1

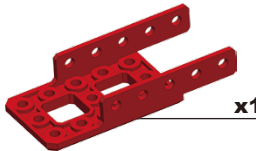
	5,8 mm 15/64"	x4		x1
		x4		
		x2		

	1:1
---	------------

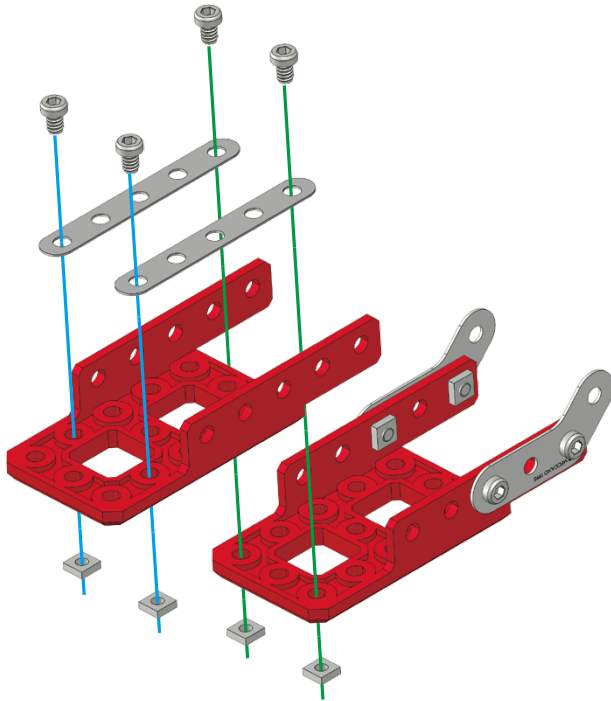


2







		5,8 mm 15/64"	x4
			x4
			x2



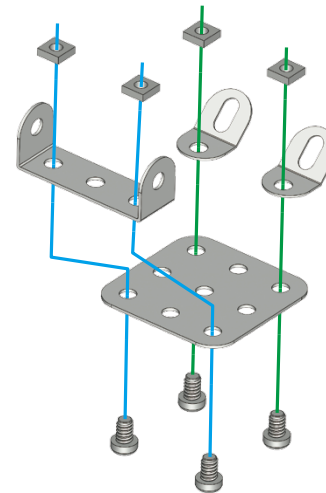
x1



3



			x1
			x1
			x2
		5,8 mm 15/64"	x4
			x4

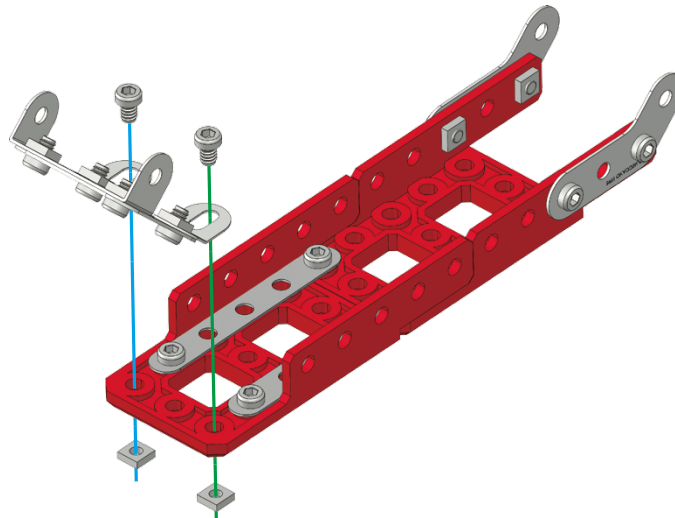
		1:1
---	---	-----






4

② + ③ +

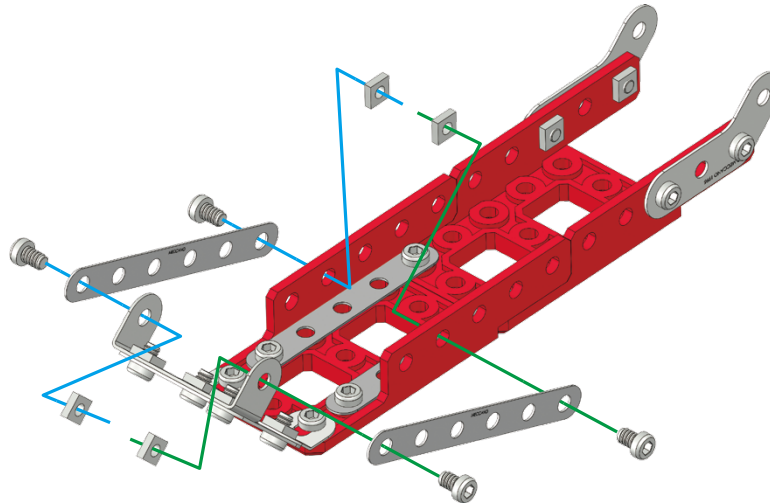
	5,8 mm 15/64"	x2
		x2



5

		x2
	5,8 mm 15/64"	x4
		x4

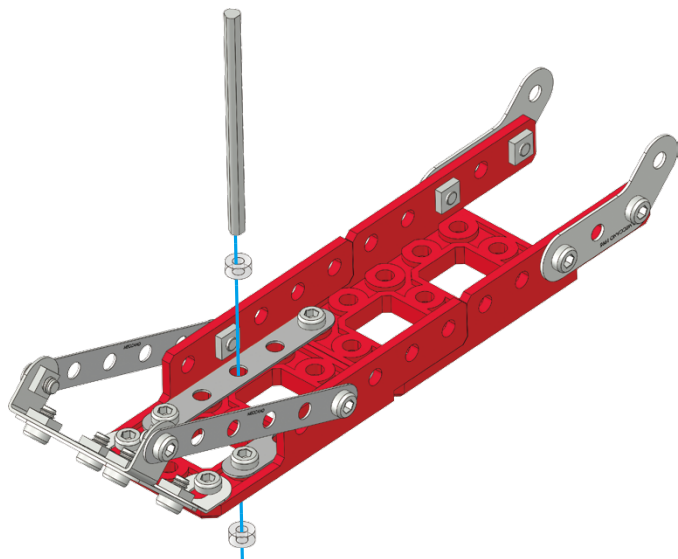
	S1	1:1
--	----	-----



6

63,5 mm | x1
2 31/64"

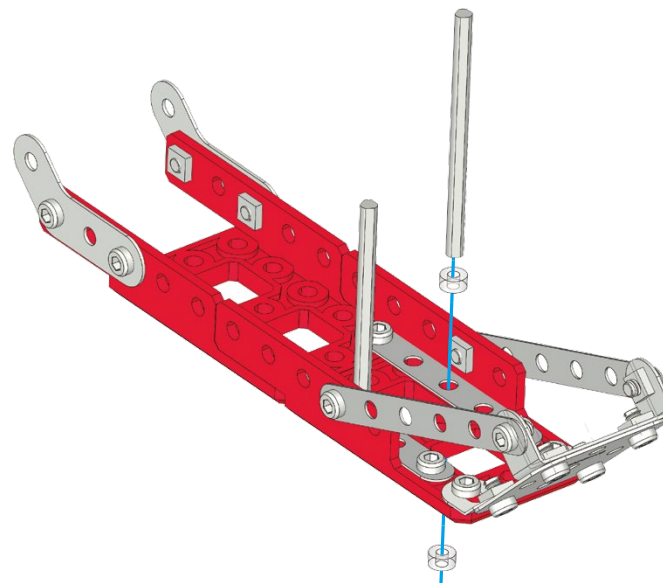
x2



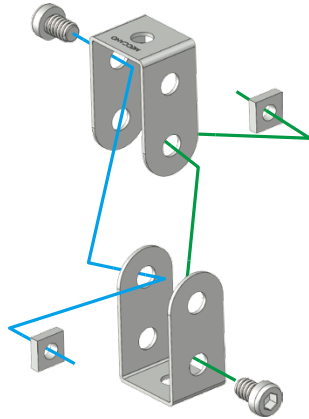
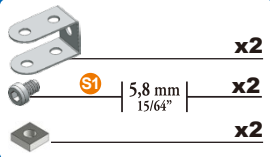
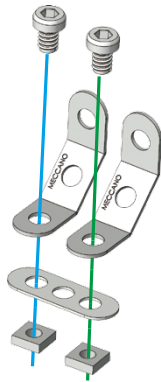
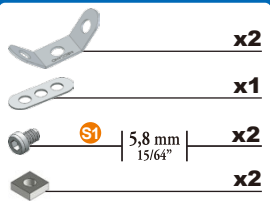
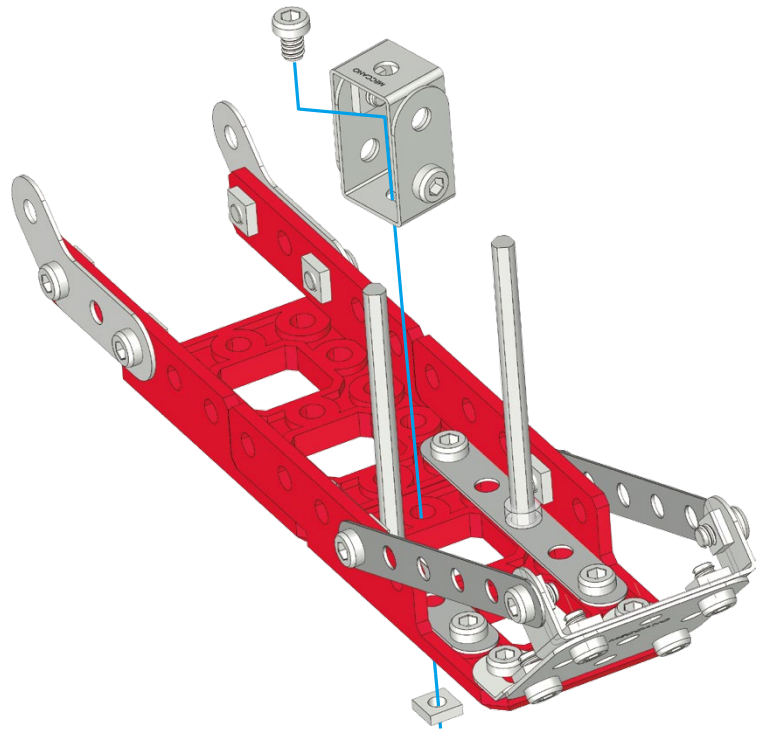
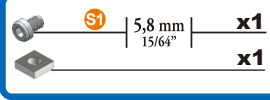
7

63,5 mm | x1
2 31/64"

x2

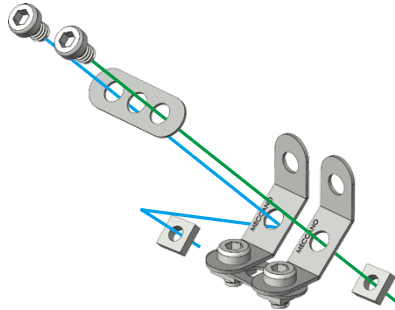


1:1

8**10****9****7 + 8 +**

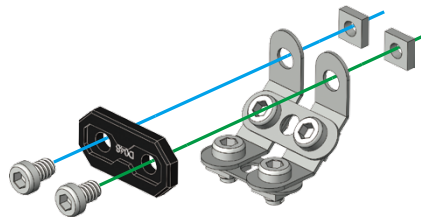
11

	x1
	x2
	x2

**12**

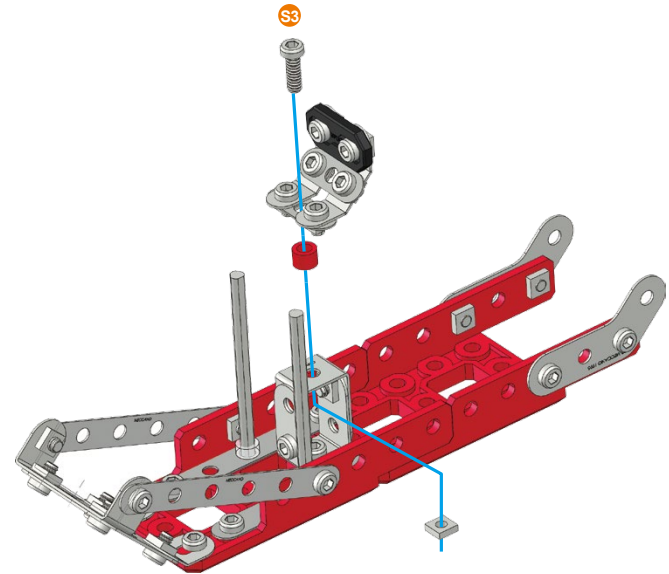
	x1
	x2
	x2

	1:1
--	------------

**13****9 + 12 +**

	x1
	x1
	x1

	1:1
	A338



14

	x1
	x1
	x1
	x2

	B1	1:1
--	----	-----

15

	x2
	x1
	x2
	x2

	S2	1:1
--	----	-----

16

	x1
	x1
	x1
	x2

	S2	1:1
--	----	-----

17

(15) + (16) +

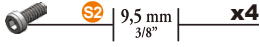
	x1
	x1
	x4
	x4

	S1	1:1
--	----	-----

18



x2



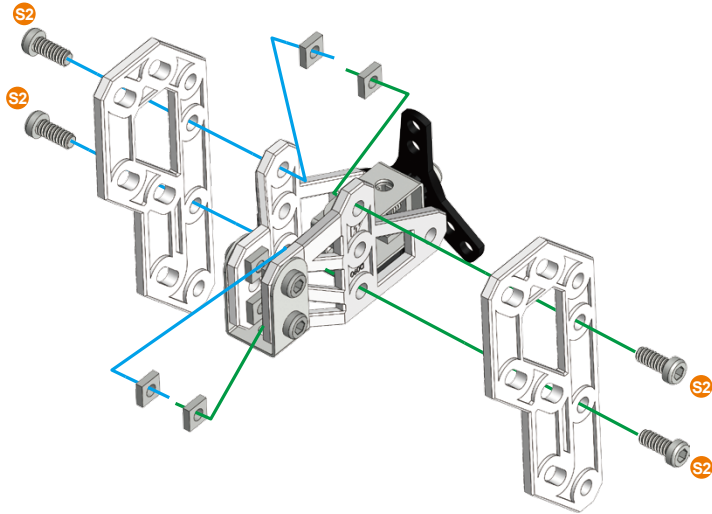
x4



x4

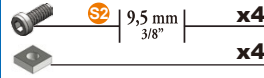


1:1

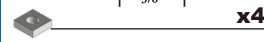


19

13 + 18 +



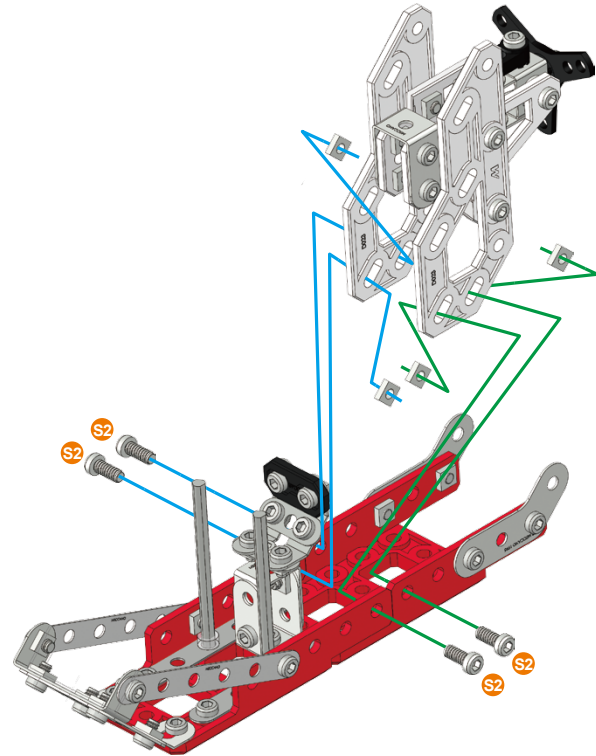
x4



x4



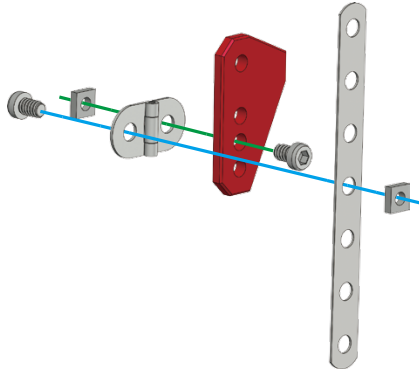
1:1



20

	x1
	x1
	x1
	x2
	x2

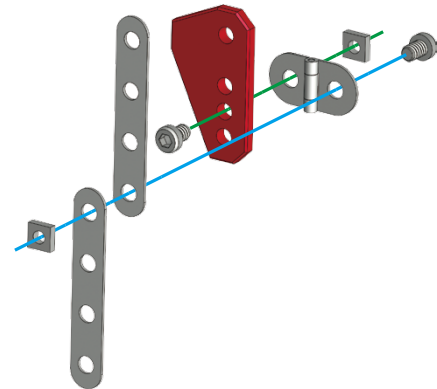
S1 **1:1**



21

	x2
	x1
	x1
	x2
	x2

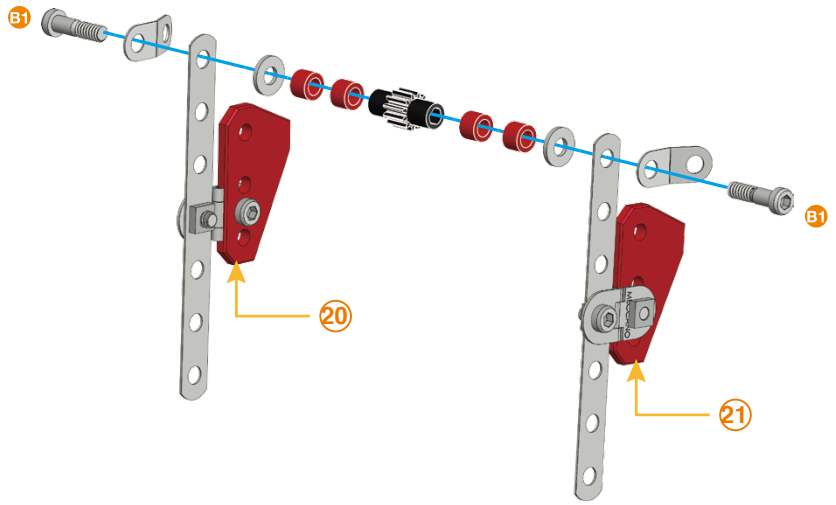
S1 **1:1**



22 (20) + (21) +


	x1
	x2
	x2
	x4
	x2

	B1	1:1
	A338	



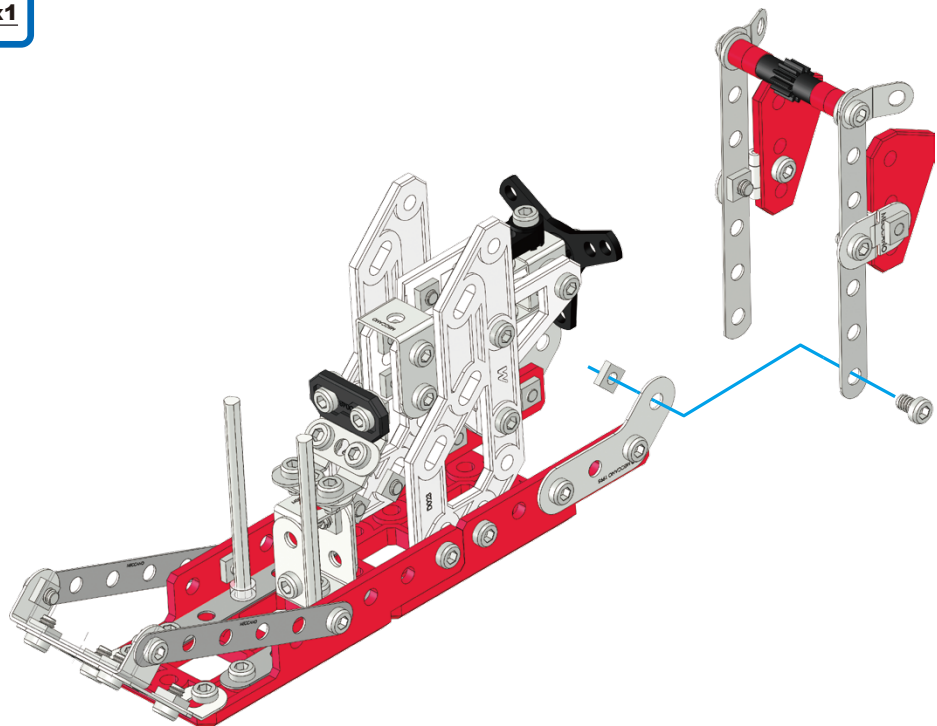
23

19 + 22 +



 S1 | 5,8 mm | x1
15/64"

 x1

 S1 | 1:1



24

	S1 5,8 mm 15/64"	x1
		x1



	S1	1:1
---	-----------	------------

