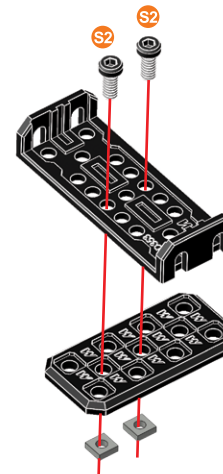
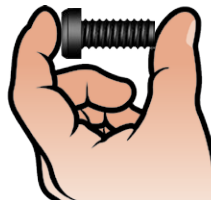


**1**

	9,5 mm 3/8"	x2
		x2
		x1
		x1

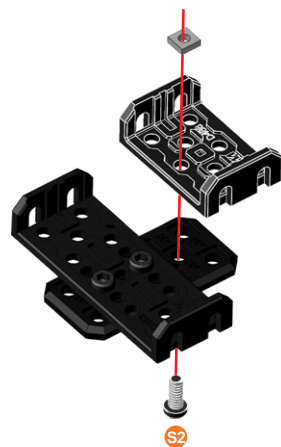
	S2	1:1
--	----	-----



**2**

	9,5 mm 3/8"	x1
		x1
		x1

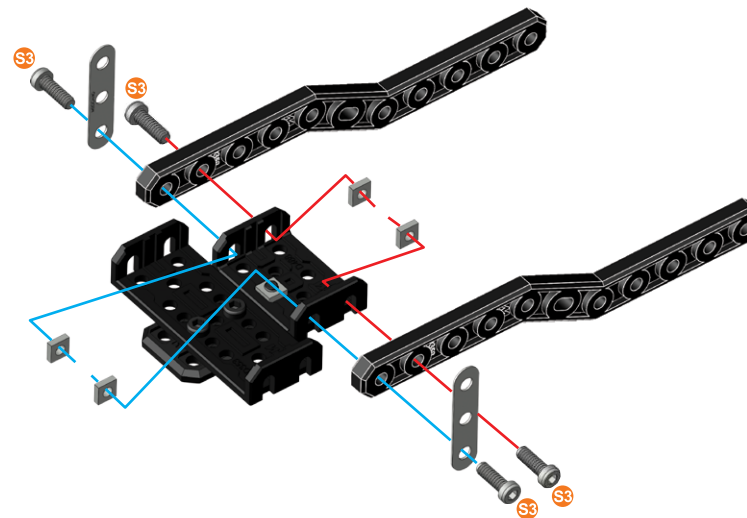
	S2	1:1
--	----	-----



**3**

	12 mm 1/2"	x4
		x4
		x2
		x2

	S3	1:1
--	----	-----



**4**

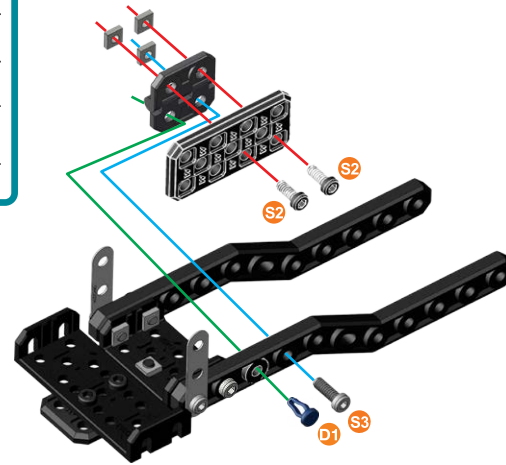
	x2
	x2



**5** (4)+

	S2	9.5 mm 3/8"	x2
	S3	12 mm 1/2"	x1
	D1	11.25mm 7/16"	x1
			x3
			x1

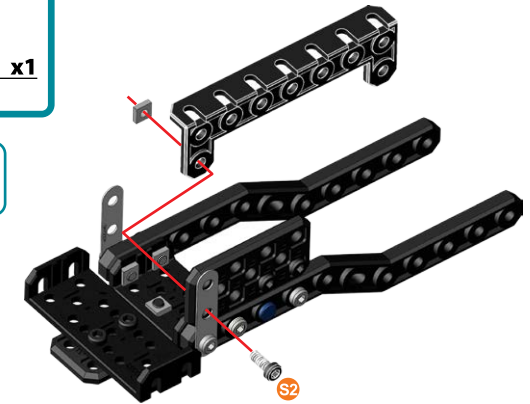
	S2	1:1
	S3	
	D1	



**6**

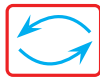
	S2	9.5 mm 3/8"	x1
			x1

	S2	1:1
--	----	-----

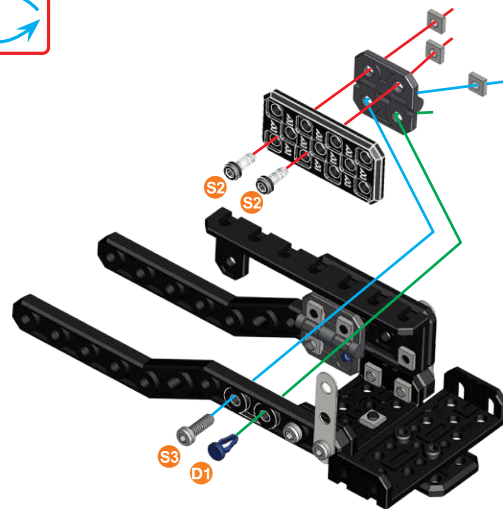


**7** (4)+(6)+

	S2	9.5 mm 3/8"	x2
	S3	12 mm 1/2"	x1
	D1	11.25mm 7/16"	x1
			x3
			x1



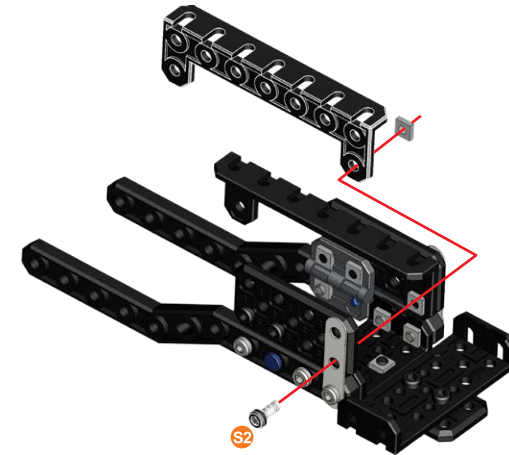
	S2	1:1
	S3	
	D1	



**8**

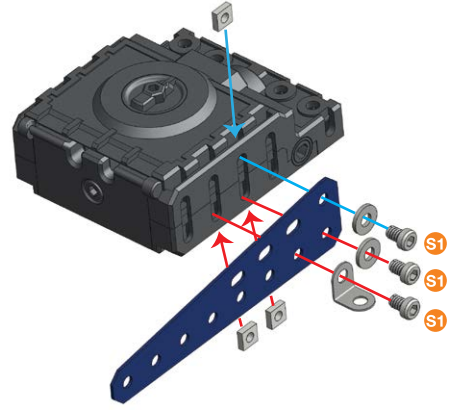
	S2	9.5 mm 3/8"	x1
			x1

	S2	1:1
--	----	-----



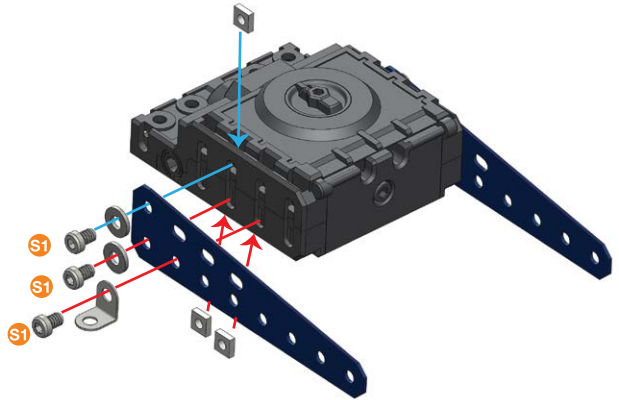
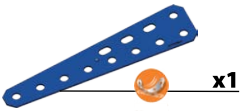
# 9

- 5.8 mm | 15/64" x3
- x3
- x1
- x2



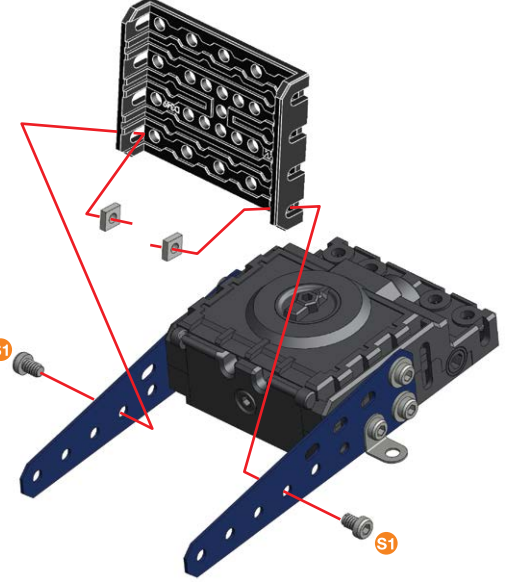
# 10

- 5.8 mm | 15/64" x3
- x3
- x1
- x2



# 11

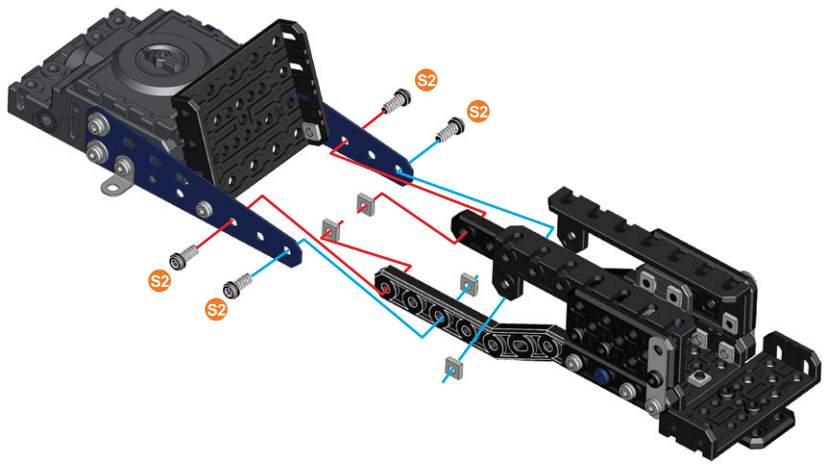
- 5.8 mm | 15/64" x2
- x2
- x1



# 12

⑧+⑪+

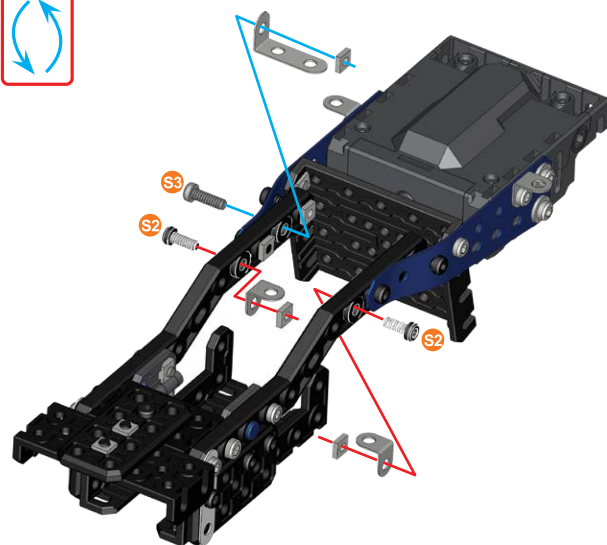
- 9.5 mm | 3/8" x4
- x4



# 13

- S2 | 9.5 mm | x2  
3/8"
- S3 | 12 mm | x1  
1/2"
- x3
- x2
- x1

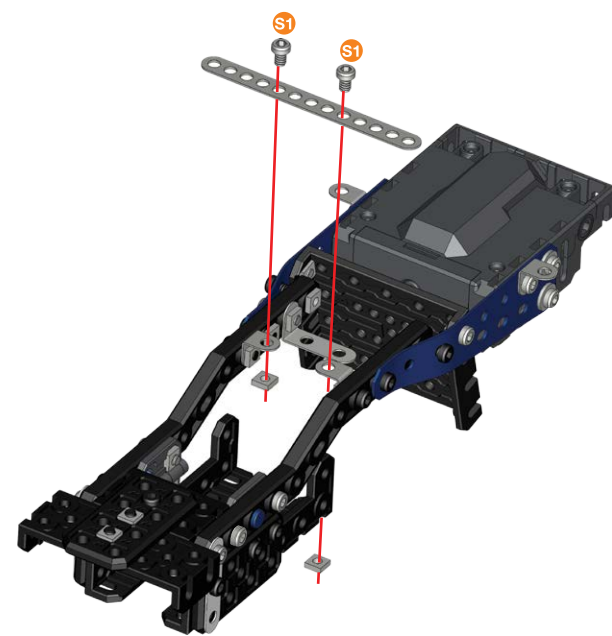
- S2 | 1:1
- S3 | 1:1



# 14

- S1 | 5.8 mm | x2  
15/64"
- x2
- x1

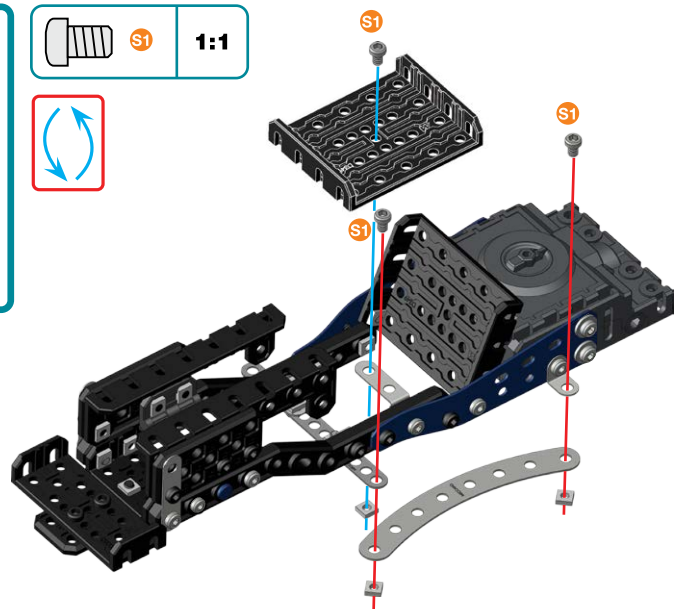
- S1 | 1:1



# 15

- S1 | 5.8 mm | x3  
15/64"
- x3
- x1
- x1

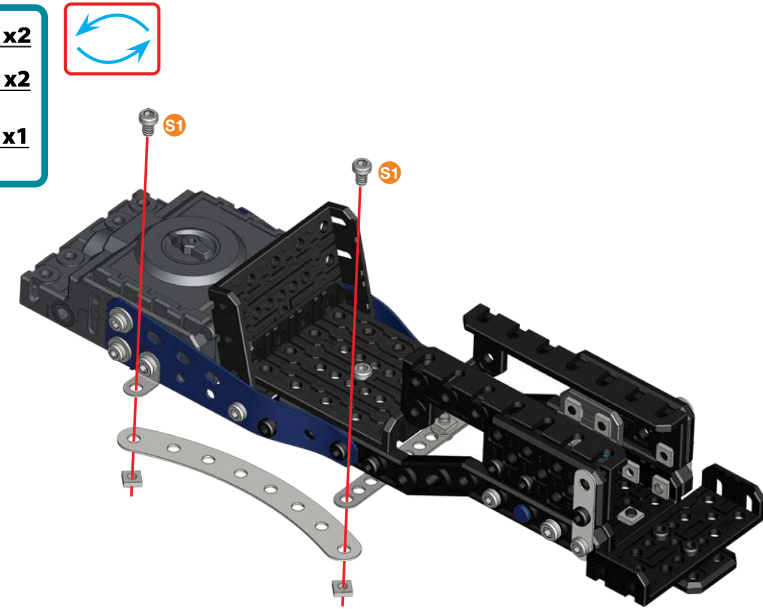
- S1 | 1:1










# 16

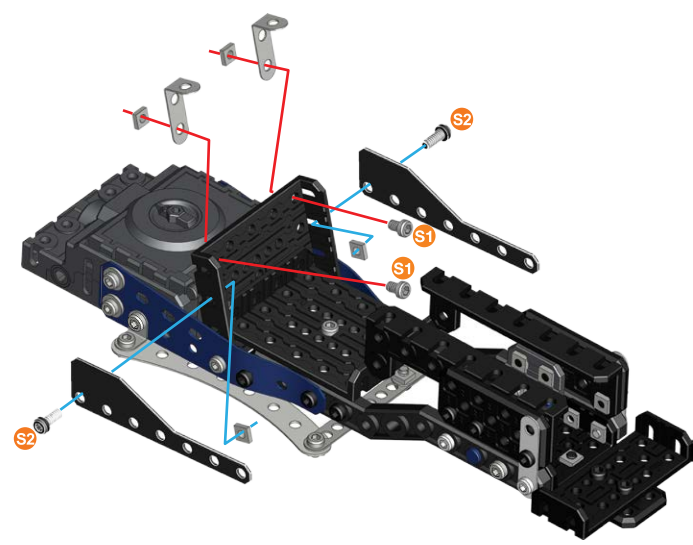
- S1 | 5.8 mm | x2  
15/64"
- x2
- x1

- S1 | 1:1










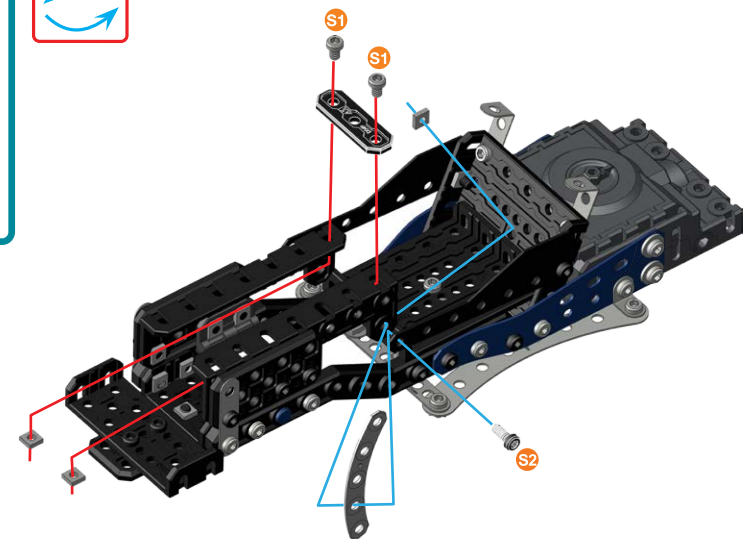
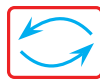
# 17

-  5.8 mm | 15/64" | **x2**
  -  9.5 mm | 3/8" | **x2**
  -  **x4**
  -  **x2**
  -  **x2**
- |   |           |            |
|---|-----------|------------|
|  | <b>S1</b> | <b>1:1</b> |
|  | <b>S2</b> |            |







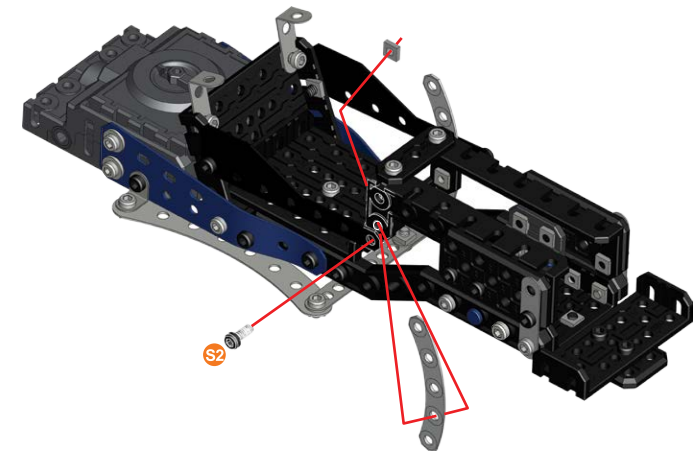
# 18

-  5.8 mm | 15/64" | **x2**
  -  9.5 mm | 3/8" | **x1**
  -  **x3**
  -  **x1**
  -  **x1**
- |   |           |            |
|---|-----------|------------|
|  | <b>S1</b> | <b>1:1</b> |
|  | <b>S2</b> |            |









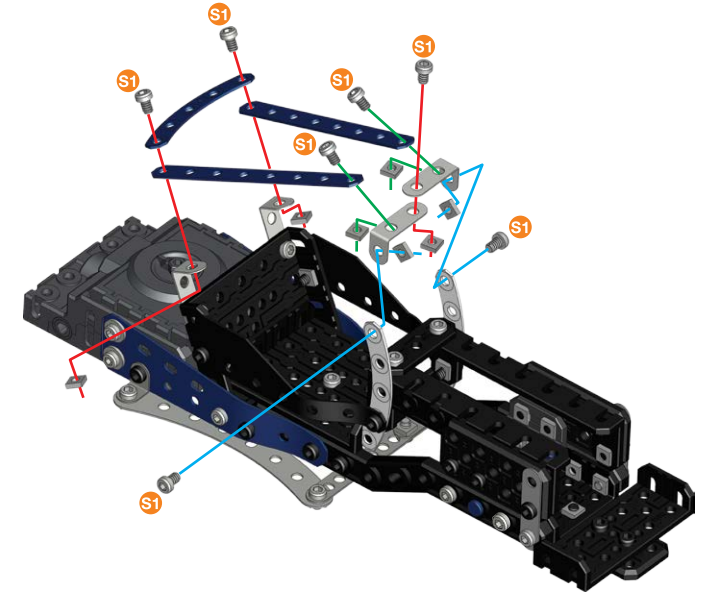
# 19

-  9.5 mm | 3/8" | **x1**
  -  **x1**
  -  **x1**
- |   |           |            |
|---|-----------|------------|
|  | <b>S2</b> | <b>1:1</b> |
|---|-----------|------------|



# 20

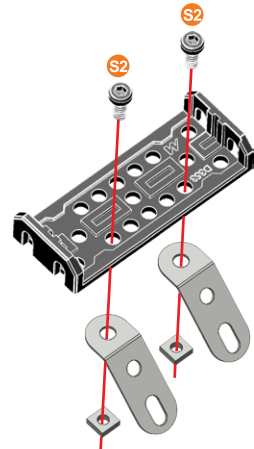
-  5.8 mm | 15/64" | **x7**
  -  **x7**
  -  **x2**
  -  **x1**
  -  **x2**
- |   |           |            |
|---|-----------|------------|
|  | <b>S1</b> | <b>1:1</b> |
|---|-----------|------------|



# 21

- 9.5 mm | 3/8" | **x2**
- x2**
- x2**
- x1**

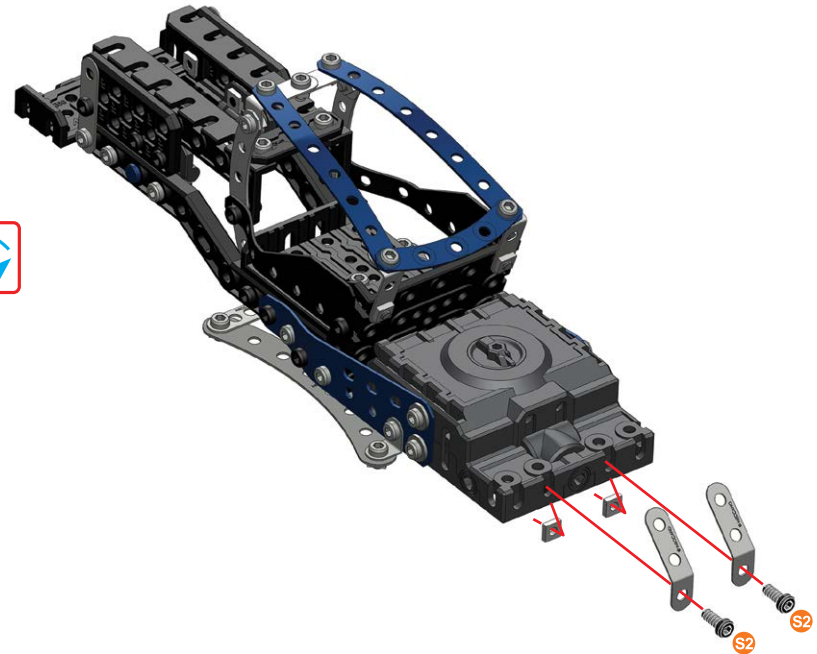
- 1:1**



# 22

- 9.5 mm | 3/8" | **x2**
- x2**
- x2**

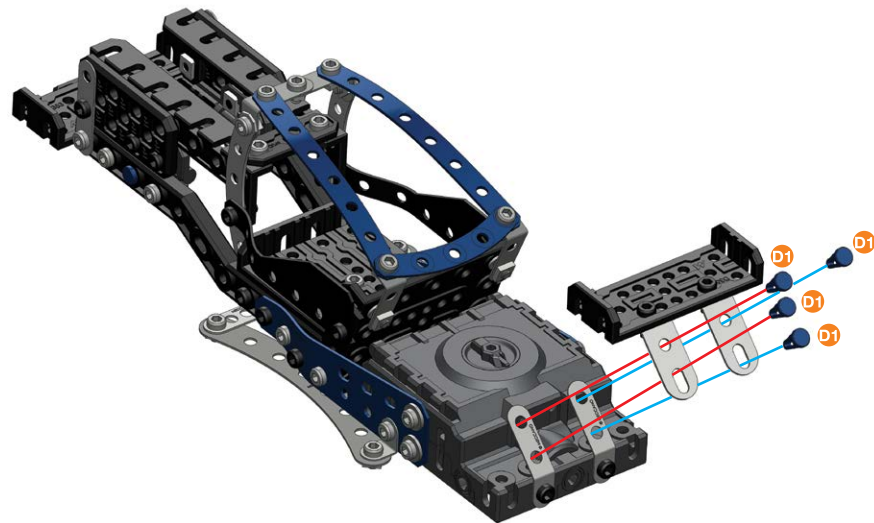
- 1:1**



# 23 (21)+(22)+

- 11.25 mm | 7/16" | **x4**

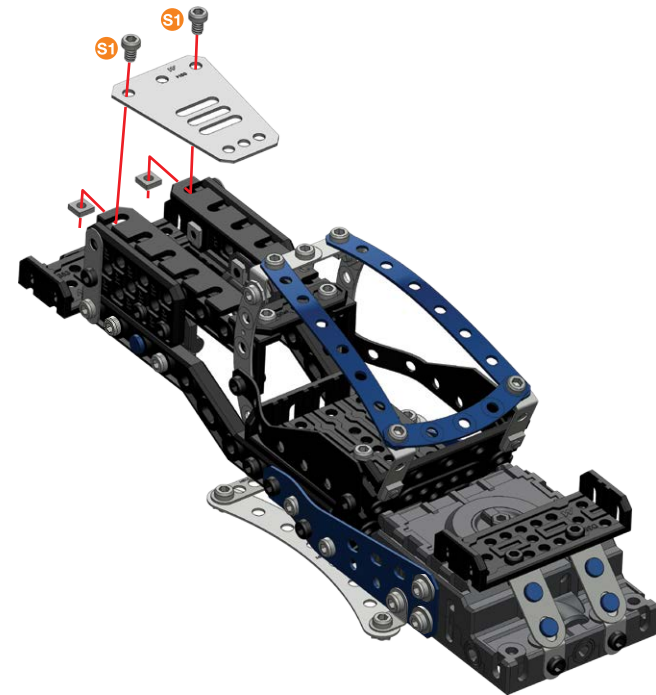
- 1:1**



# 24

- 5.8 mm | 15/64" | **x2**
- x2**
- x1**

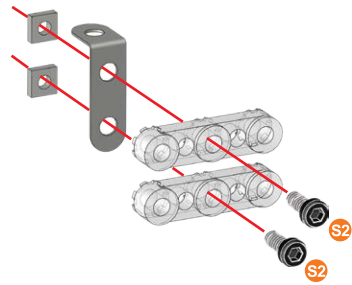
- 1:1**



# 25

- 9.5 mm | 3/8" | **x2**
- x2**
- x1**
- x2**

- 1:1**



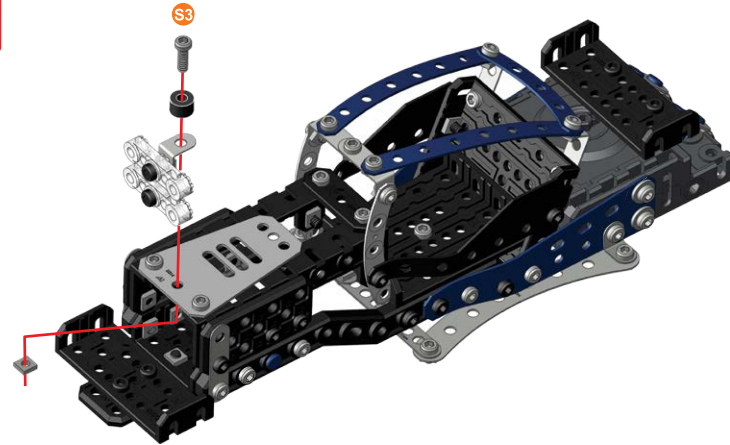
# 26

(24)+(25)+

- 12 mm | 1/2" | **x1**
- x1**
- x1**



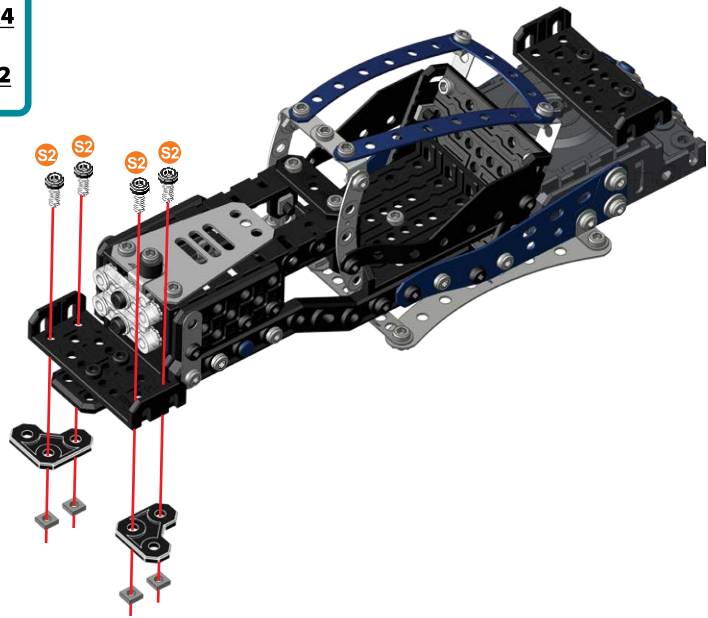
- S3**
- A238** | **1:1**



# 27

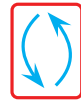
- 9.5 mm | 3/8" | **x4**
- x4**
- x2**

- 1:1**

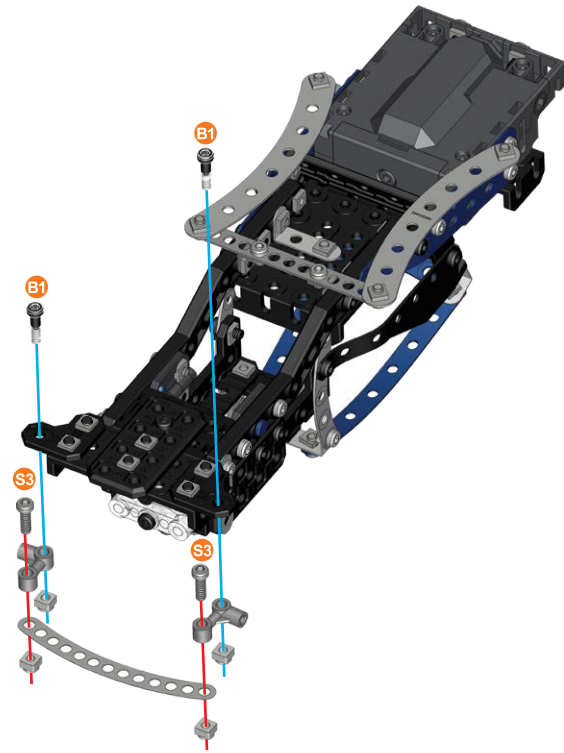


# 28

- 12 mm | 1/2" | **x2**
- 14.7 mm | 37/64" | **x2**
- x4**
- x2**
- x1**

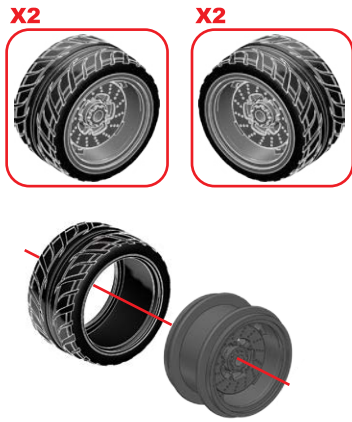


- S3**
- B1** | **1:1**



**29**

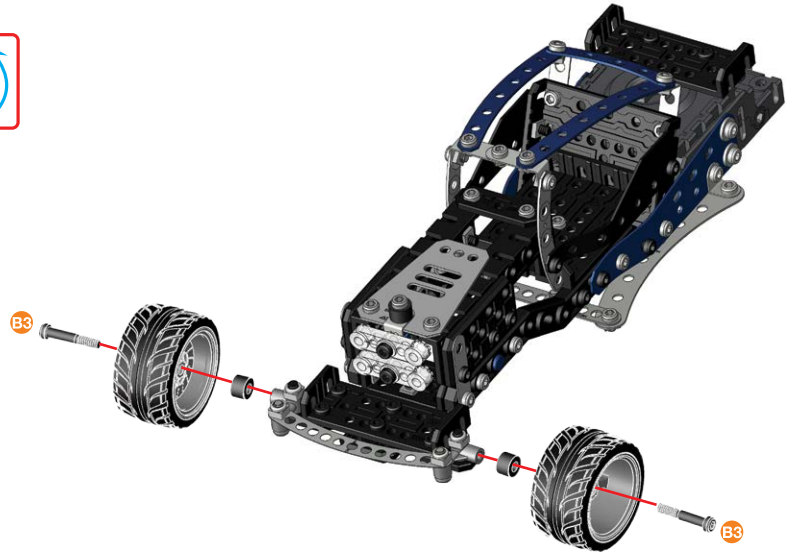
	<b>x4</b>
	<b>x4</b>



**30**  $(28+29)+$

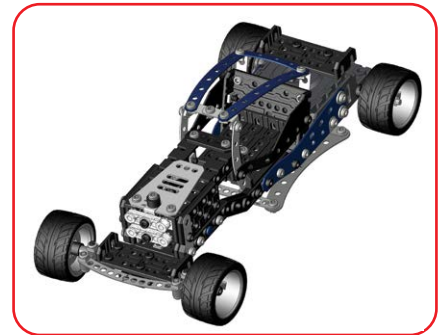
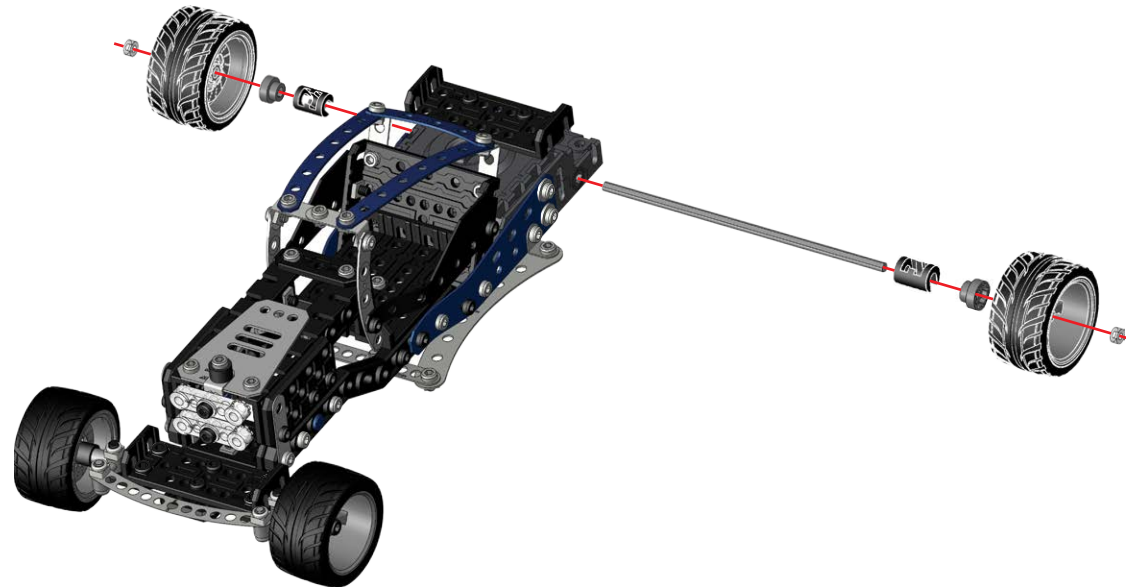
	<b>23 mm</b>	<b>x2</b>
	<b>15/16"</b>	<b>x2</b>

	<b>B3</b>	<b>1:1</b>
	<b>A238</b>	



**31**  $(29+30)+$

	<b>x2</b>	
	<b>x2</b>	
	<b>x2</b>	
	<b>130mm</b>	<b>x1</b>
	<b>5 1/8"</b>	



	<b>1:1</b>
--	------------