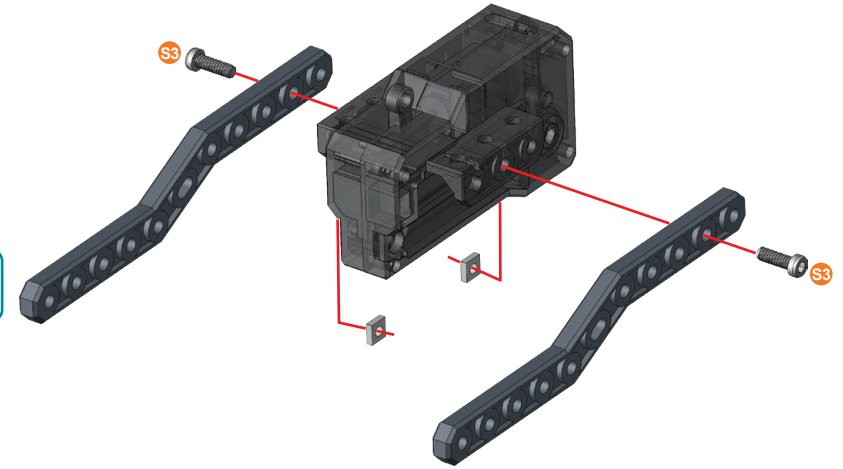
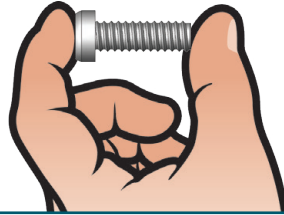


1

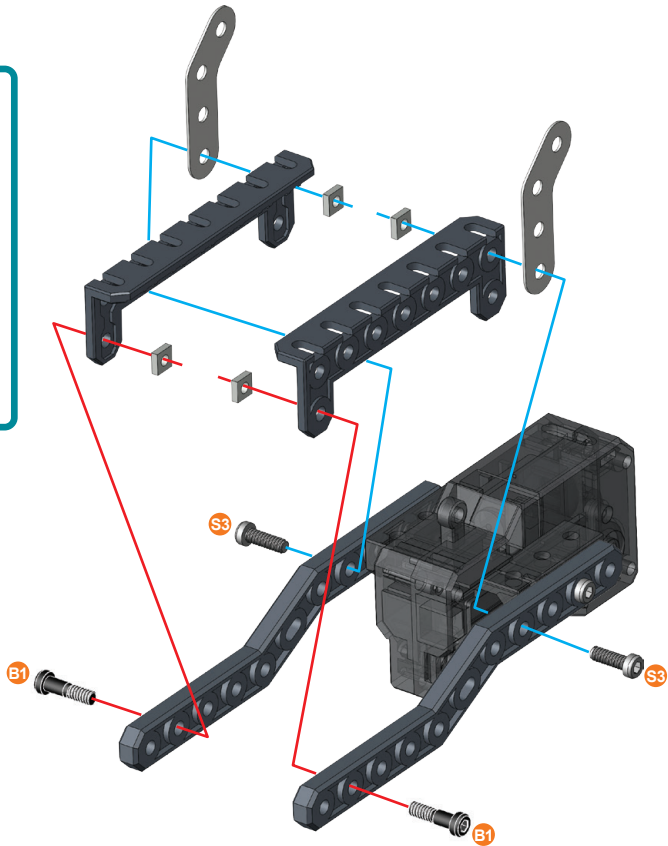
| | | | |
|--|----|-------|----|
| | S3 | 12 mm | x2 |
| | | 1/2" | x2 |
| | | | x1 |
| | | | x2 |



2

| | | | |
|--|----|---------|----|
| | S3 | 12 mm | x2 |
| | B1 | 14.7 mm | x2 |
| | | 37/64" | x4 |
| | | | x2 |
| | | | x2 |

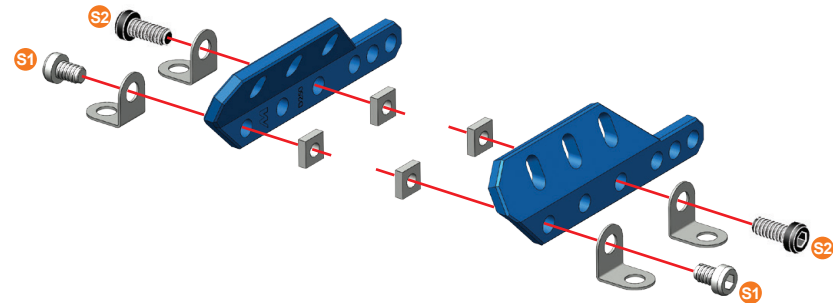
| | | |
|--|----|-----|
| | S3 | 1:1 |
| | B1 | |








3

| | | | |
|--|----|--------|----|
| | S1 | 5.8 mm | x2 |
| | S2 | 9.5 mm | x2 |
| | | | x4 |
| | | | x4 |
| | | | x1 |
| | | | x1 |

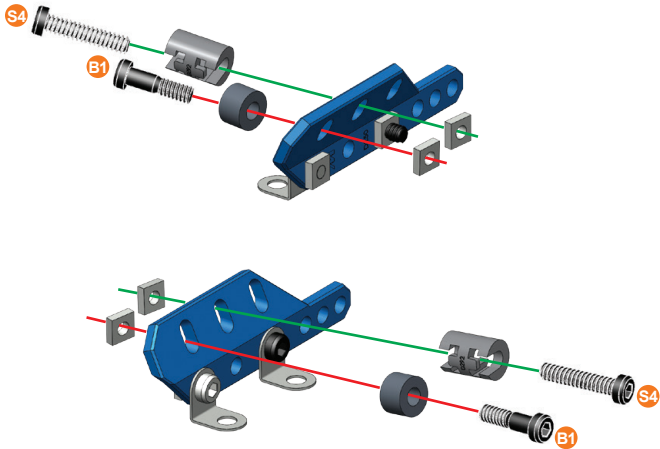
| | | |
|--|----|-----|
| | S1 | 1:1 |
| | S2 | |



4



-  B1 | 14.7 mm | x2
37/64"
-  S4 | 19 mm | x2
3/4"
-  x4
-  x2
-  x2

-  B1
 -  S4
 -  A238
- 1:1

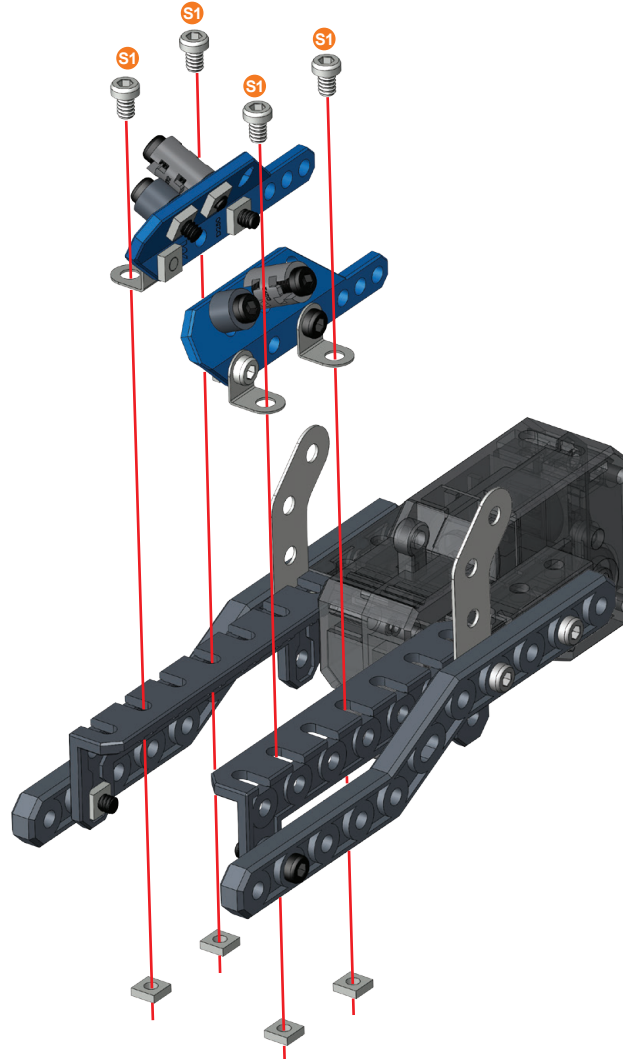


5





②+④+

-  S1 | 5.8 mm | x4
15/64"
-  x4

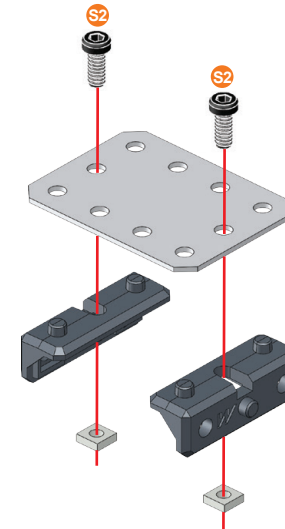
-  S1 | 1:1



6

-  S2 | 9.5 mm | x2
3/8"
-  x2
-  x2
-  x1

-  S2 | 1:1



7

5+6+

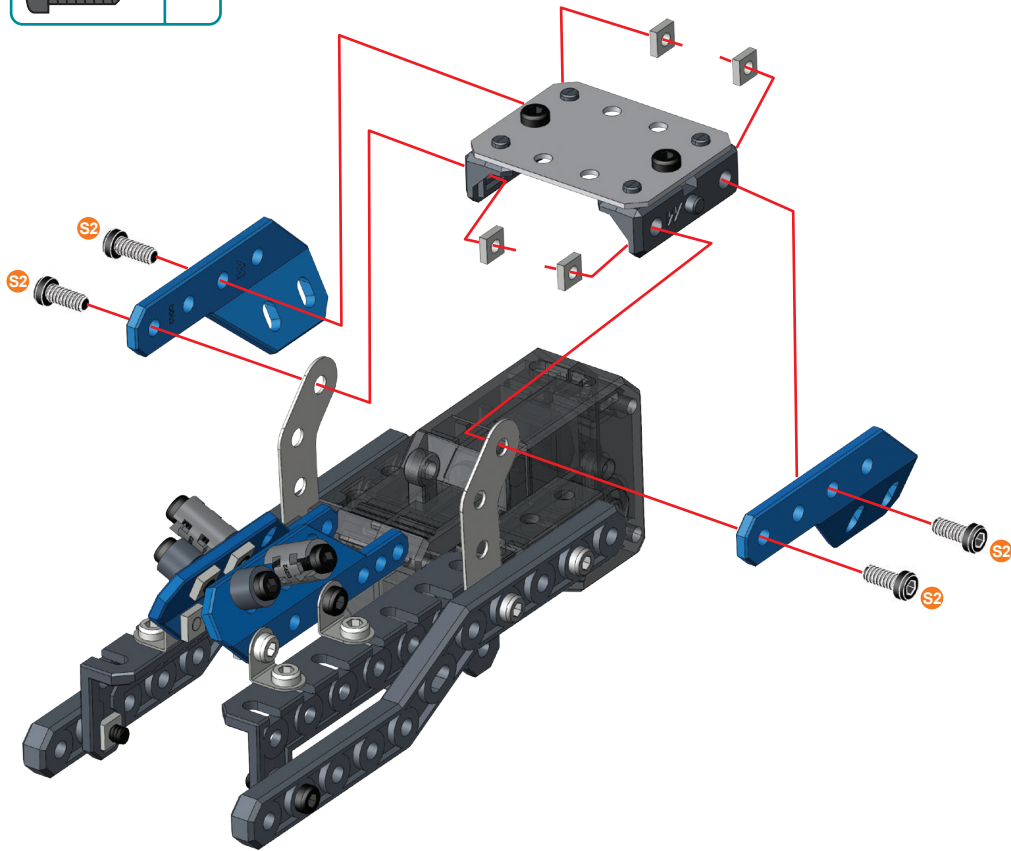
S2 9.5 mm 3/8" x4

x4

x1

x1

S2 1:1



8

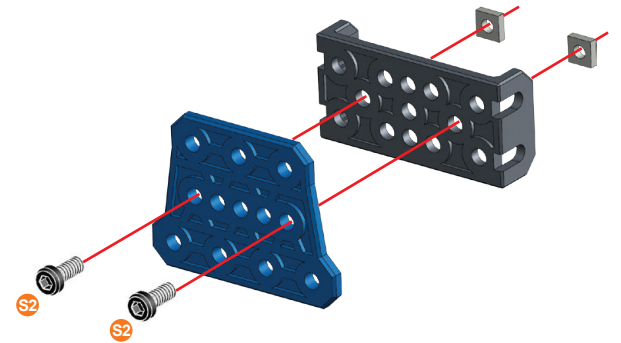
S2 9.5 mm 3/8" x2

x2

x1

x1

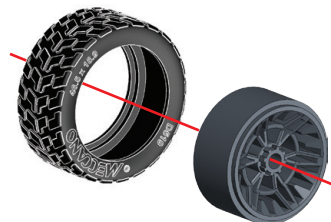
S2 1:1



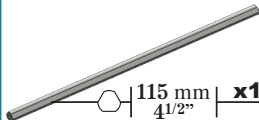


9

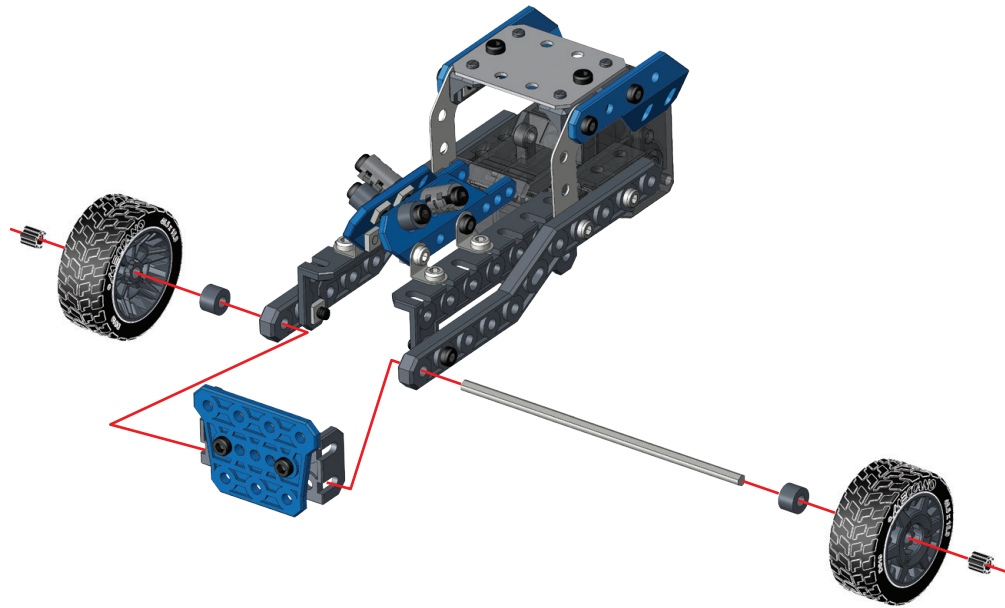
x4

x4



10 (7)+(8)+(9)+

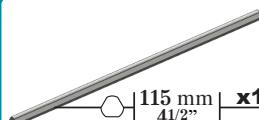




-  115 mm | 4 1/2" | **x1**
-  **x2**
-  **x2**

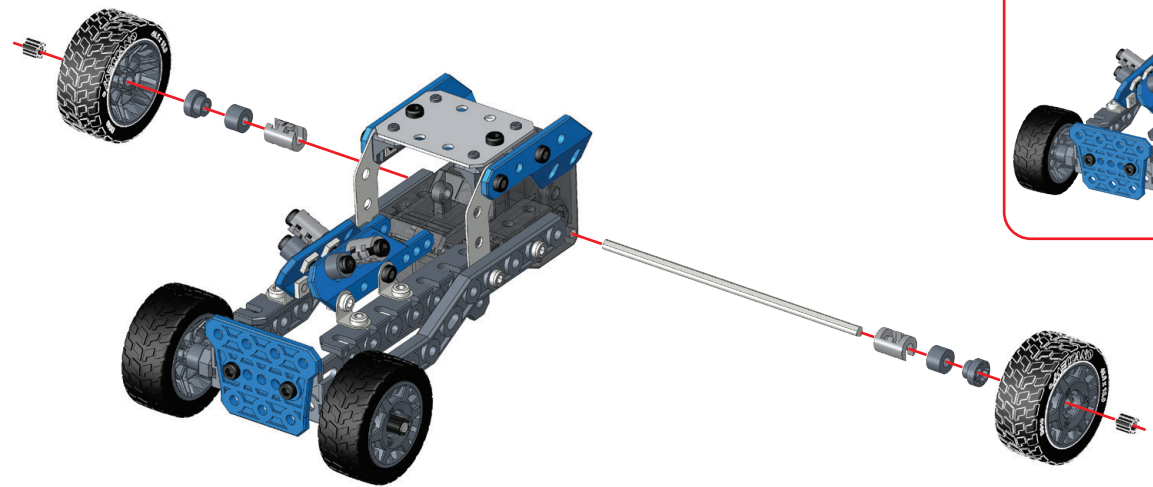


-  **A238** | **1:1**

-  **1:1**

11 (9)+(10)+

-  115 mm | 4 1/2" | **x1**
-  **x2**
-  **x2**
-  **x2**
-  **x2**



-  **A238** | **1:1**

-  **1:1**