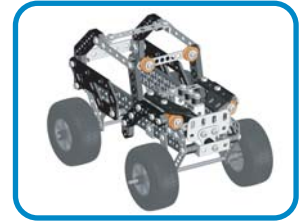


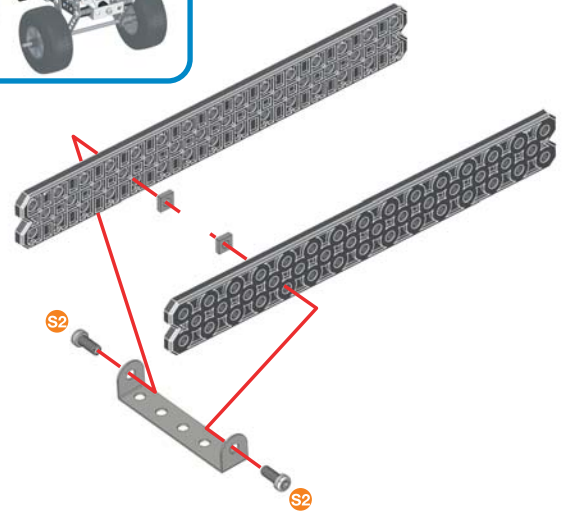


1

	x2
	x1
	x2
	x2



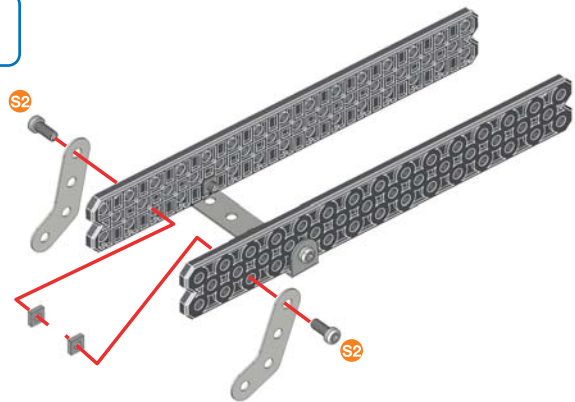
	S2	1:1
--	-----------	------------



2

	x2
	x2
	x2

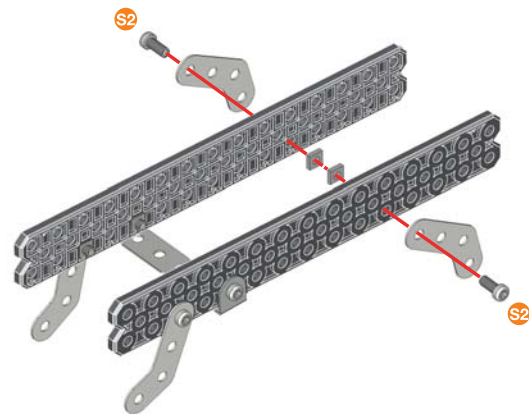
	S2	1:1
--	-----------	------------



3

	x2
	x2
	x2

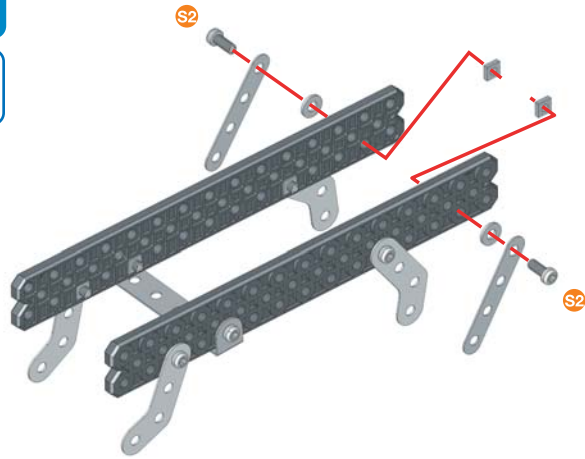
	S2	1:1
--	-----------	------------



4

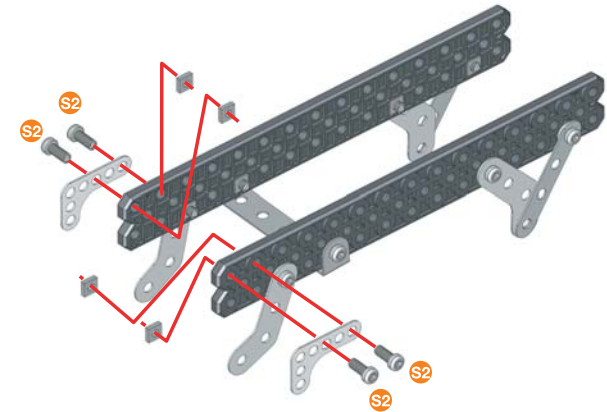
	x2
	x2
	x2
	x2

	1:1
--	------------

**5**

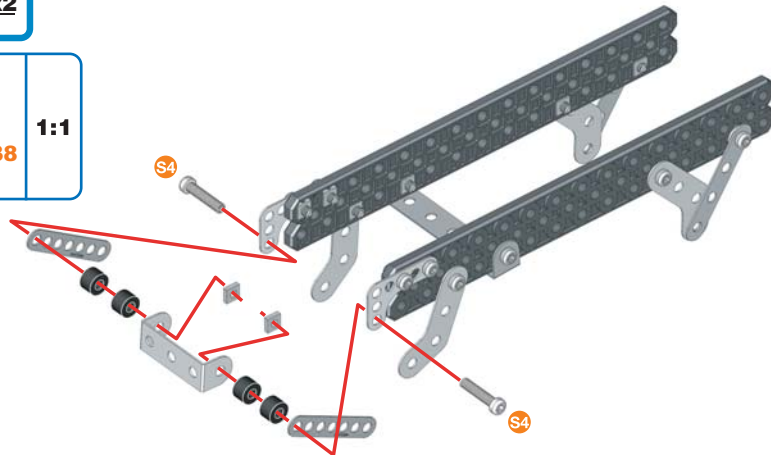
	x4
	x4
	x2

	1:1
--	------------

**6**

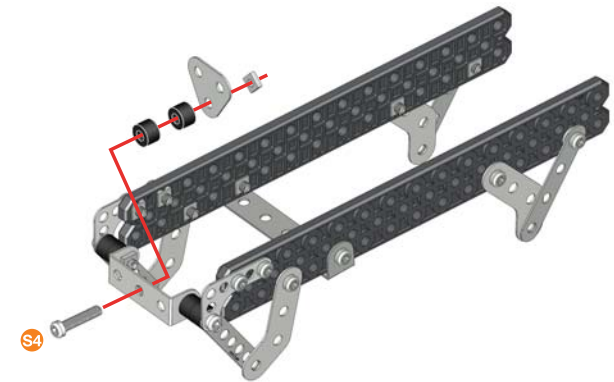
	x1
	x2
	x4
	x2
	x2

	1:1
	A238

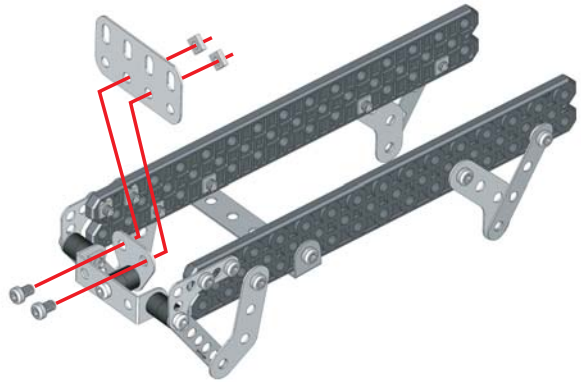
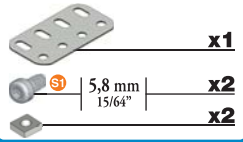
**7**

	x2
	x1
	x1
	x1

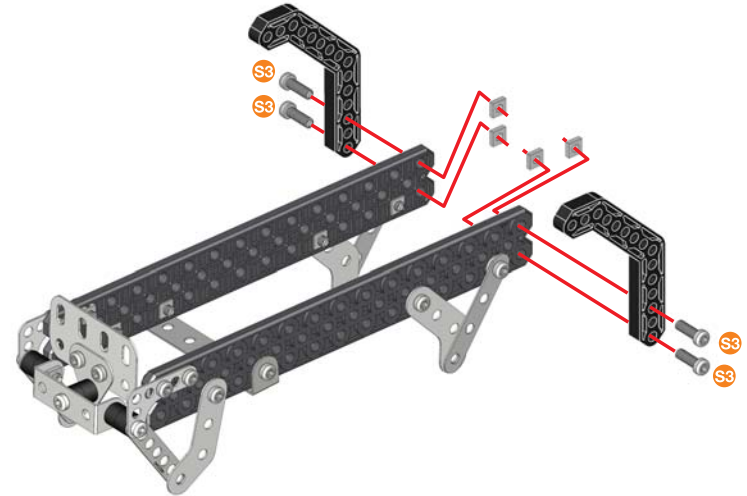
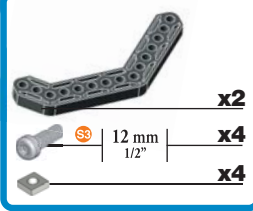
	1:1
	A238









8






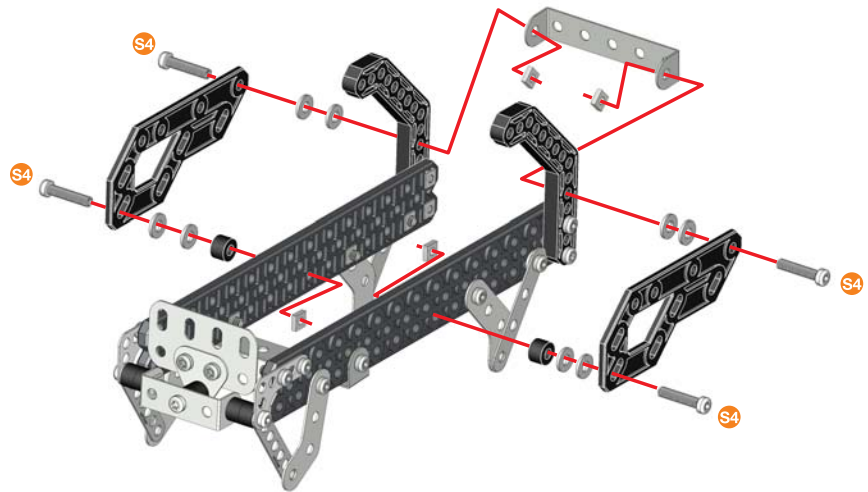
9









10




-  x2
-  x1
-  x2
-  x4
-  x4
-  x8

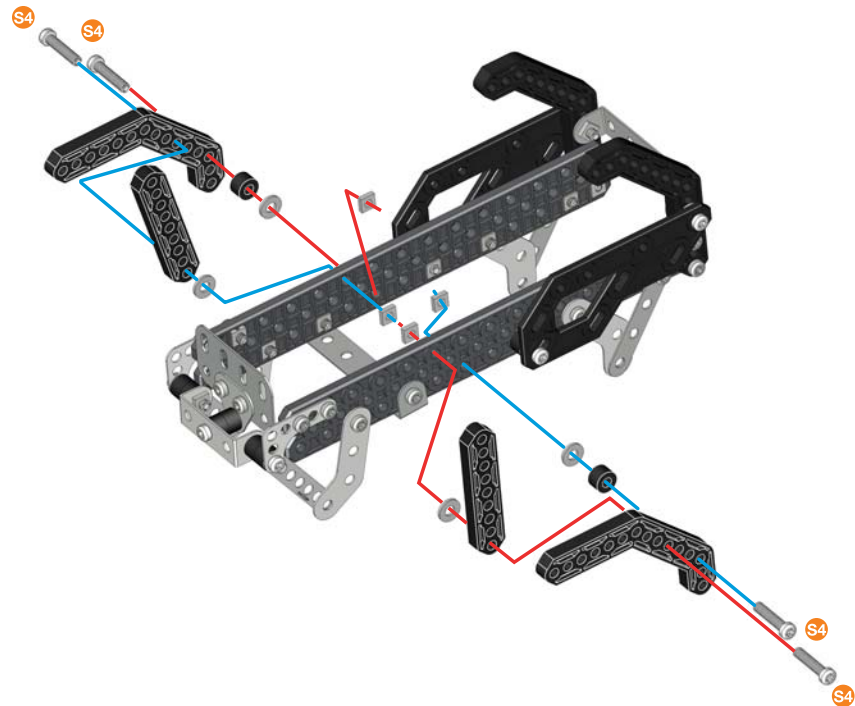
			A238	1:1
--	--	---	-------------	------------



11

-  x2
-  x2
-  x2
-  x4
-  x4
-  x4

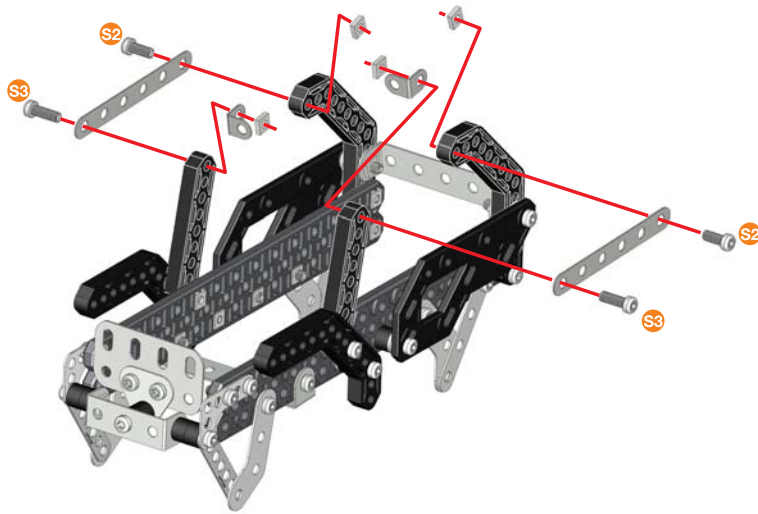
			A238	1:1
---	---	---	-------------	------------



12

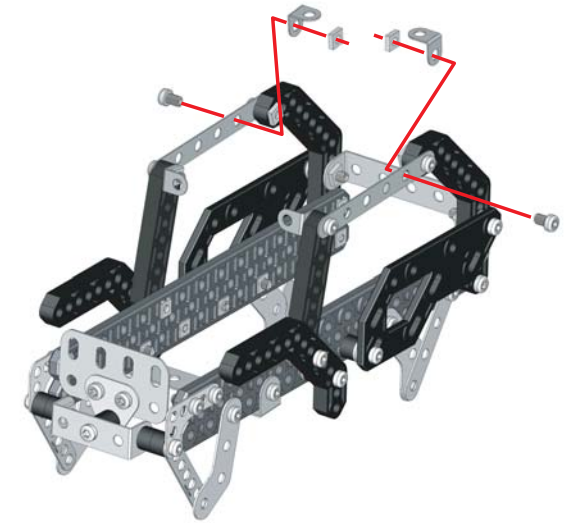
	x2
	x2
	x2
	x2
	x4

	1:1
	1:1

**13**

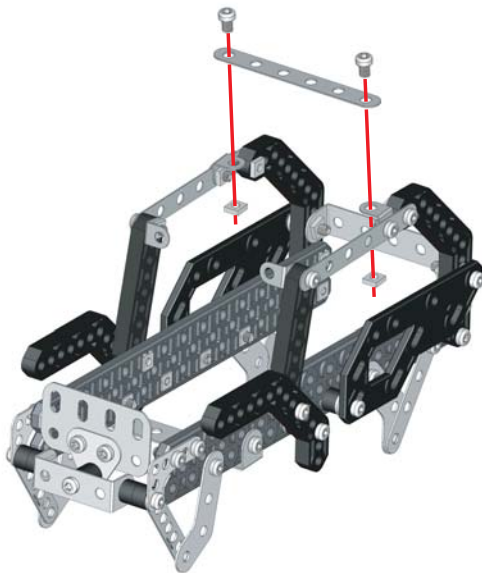
	x2
	x2
	x2

	1:1
--	------------

**14**

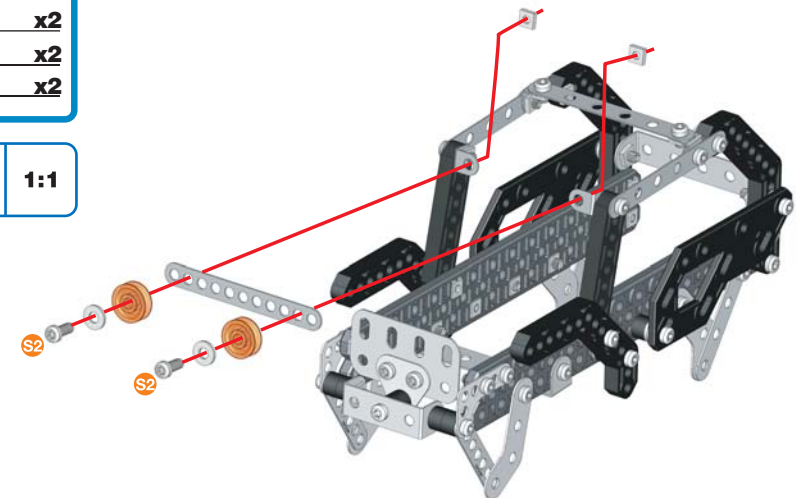
	x1
	x2
	x2

	1:1
--	------------



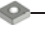
**15**

	x1
	x2
	x2
	x2
	x2

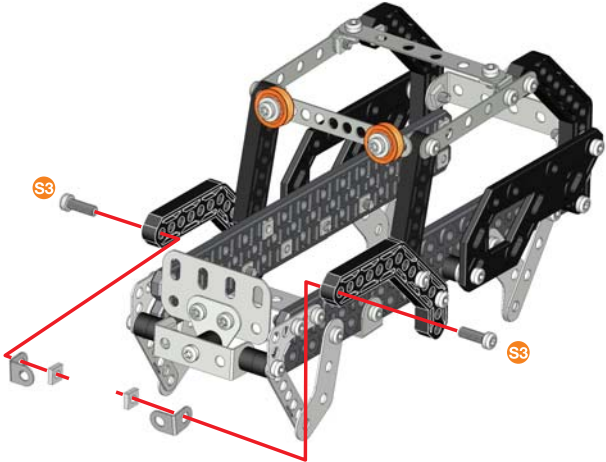
	1:1
--	------------







16

-  **x2**
-  | 12 mm | **x2**
-  | 1/2" | **x2**

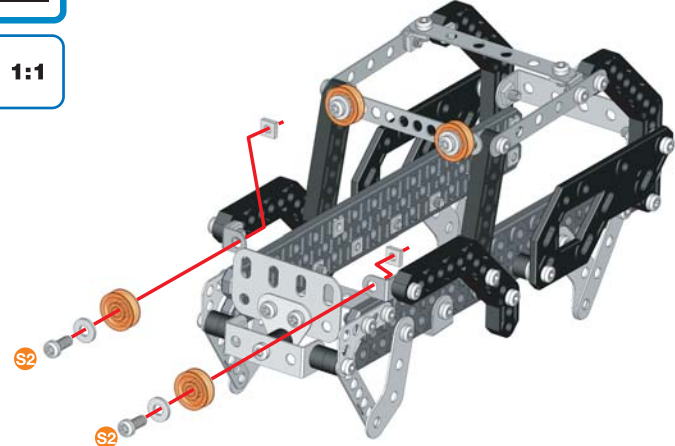
-  **S3** | **1:1**






17

-  **x2**
-  | 9,5 mm | **x2**
-  | 3/8" | **x2**
-  **x2**

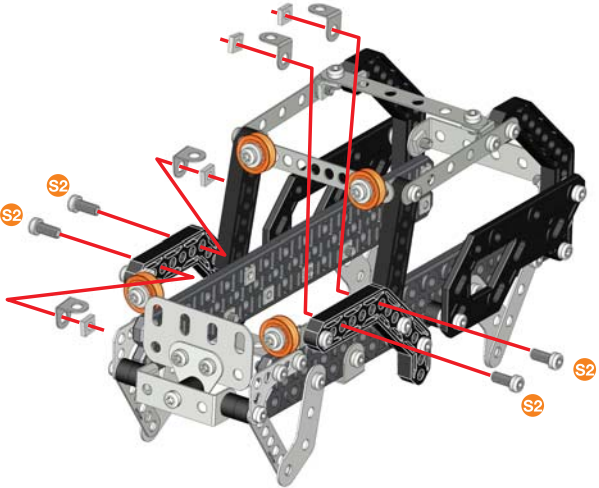
-  **S2** | **1:1**









18

-  **x4**
-  | 9,5 mm | **x4**
-  | 3/8" | **x4**

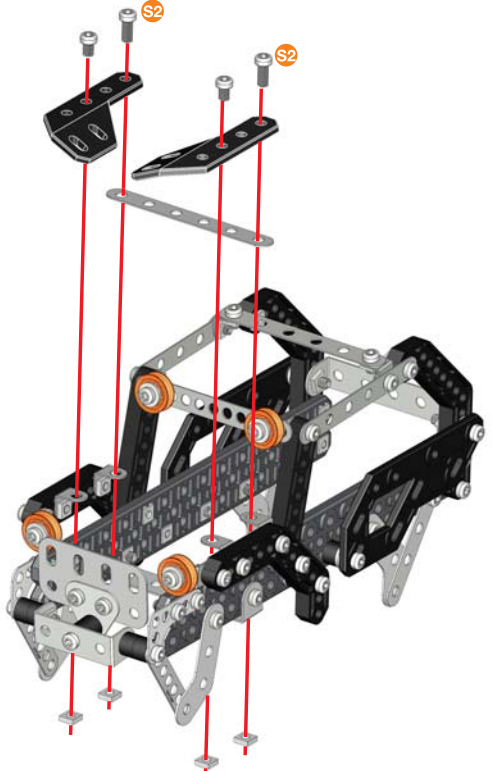
-  **S2** | **1:1**









19

-  **x1**
-  **x1**
-  **x1**
-  | 9,5 mm | **x2**
-  | 5,8 mm | **x2**
-  | 15/64" | **x4**

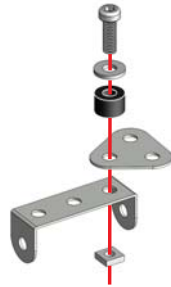
-  **S2**
-  **S1** | **1:1**







20

-  x1
-  x1
-  x1
-  | 12 mm | 1/2" | x1
-  x1
-  x1

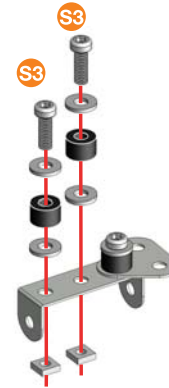
-  S3 | 1:1



21

-  x4
-  | 12 mm | 1/2" | x2
-  x2
-  x2

-  S3 | 1:1

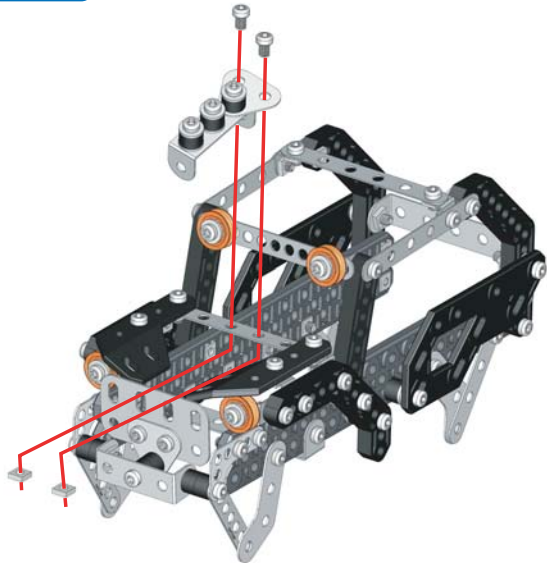


22

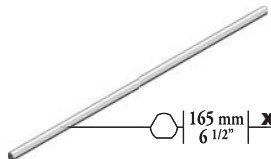
19 + 21 +

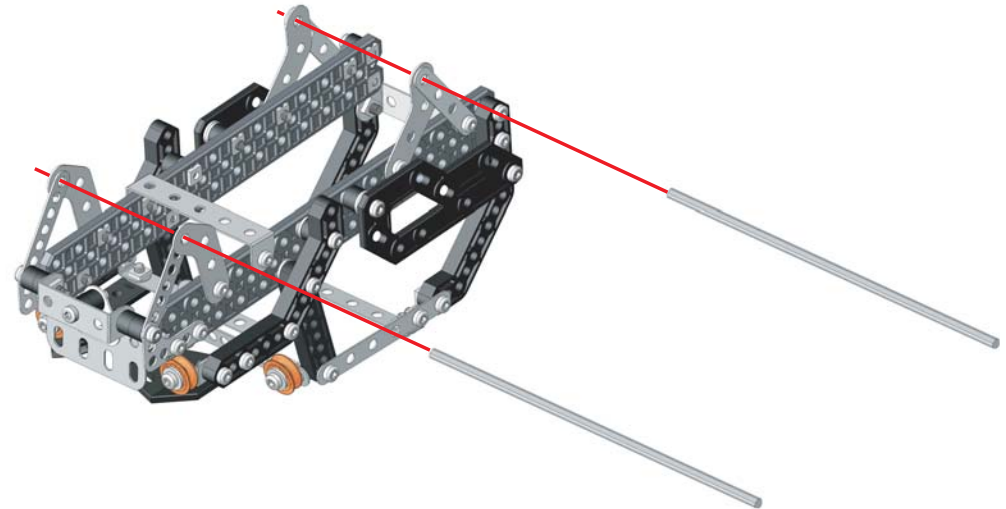
-  | 5,8 mm | 15/64" | x2
-  x2

-  S1 | 1:1

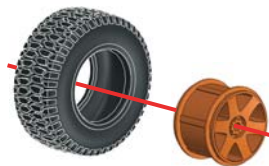
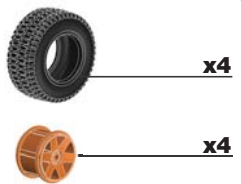


23

-  | 165 mm | 6 1/2" | x2



24



x4



25

(23) + (24) +



1:1

