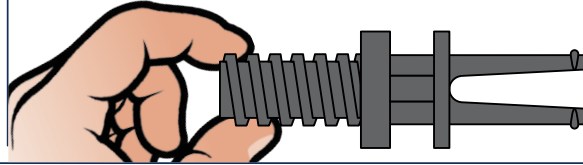
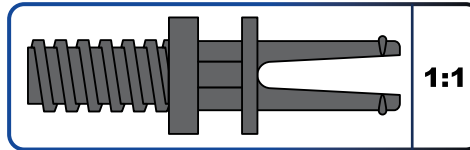
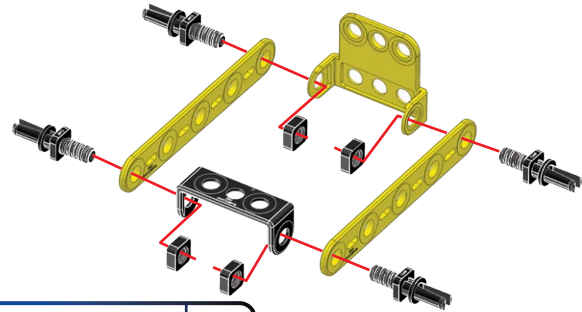
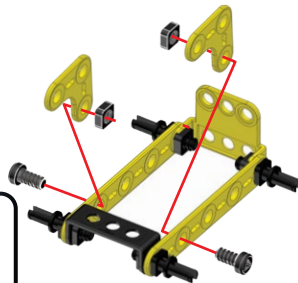




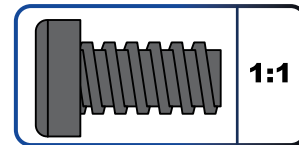
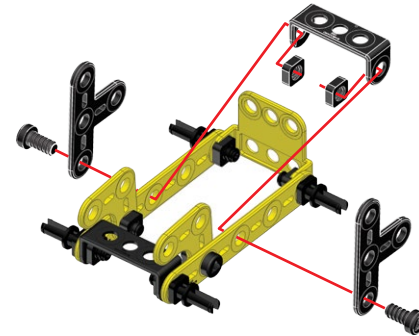
- 1**
- x4
 - x4
 - x1
 - x1
 - x2



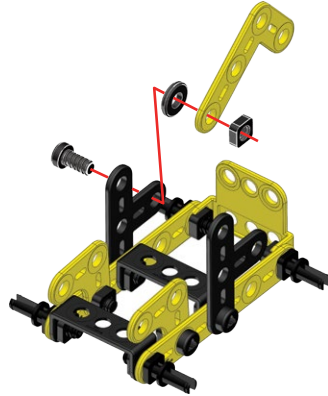
- 2**
- 18,5 mm | x2
47/64"
 - x2
 - x2



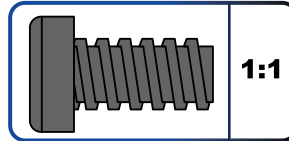
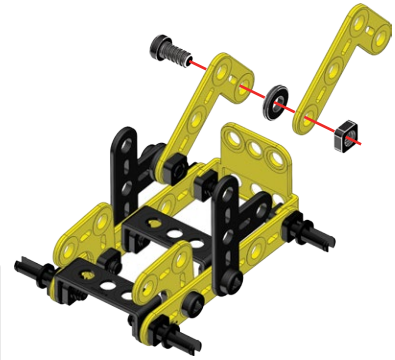
- 3**
- 18,5 mm | x2
47/64"
 - x2
 - x1
 - x2



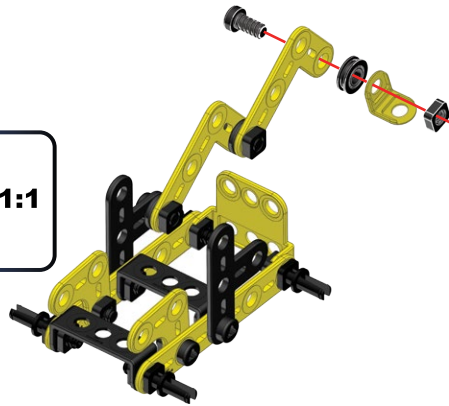
4		18,5 mm	x1
		47/64 ^{mm}	x1
			x1
			x1



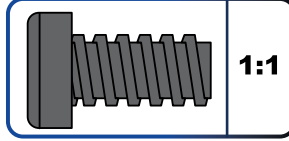
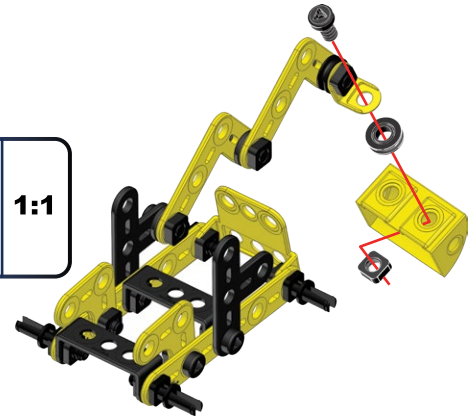
5		18,5 mm	x1
		47/64 ^{mm}	x1
			x1
			x1



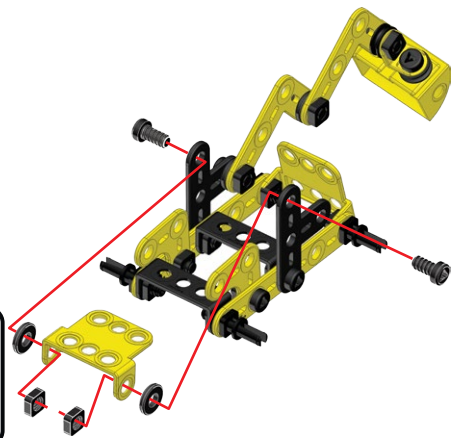
6		18,5 mm	x1
		47/64 ^{mm}	x1
			x1
			x1



7		18,5 mm	x1
		47/64 ^{mm}	x1
			x1
			x1



- 8**
- | | | |
|--|---------|----|
| | 18,5 mm | x2 |
| | 47/64" | x2 |
| | | x2 |
| | | x1 |



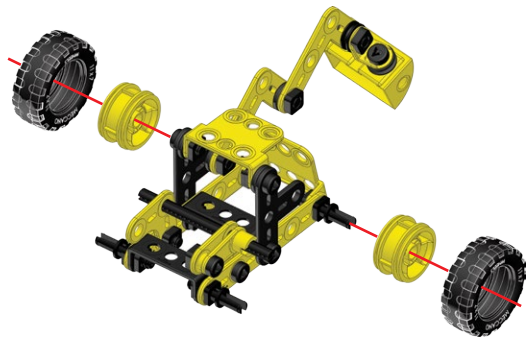
- 9**
- | | | |
|--|---------|----|
| | 18,5 mm | x1 |
| | 47/64" | x1 |
| | | x1 |



- 10**
- | | |
|--|----|
| | x1 |
|--|----|



- 11**
- | | |
|--|----|
| | x2 |
| | x2 |



12

	x2
	x2

